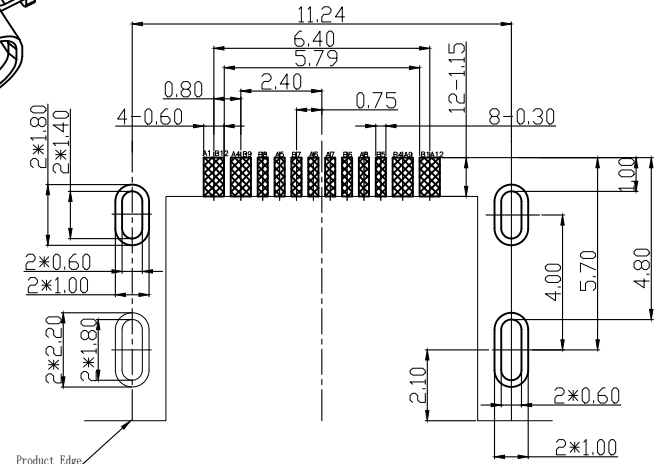
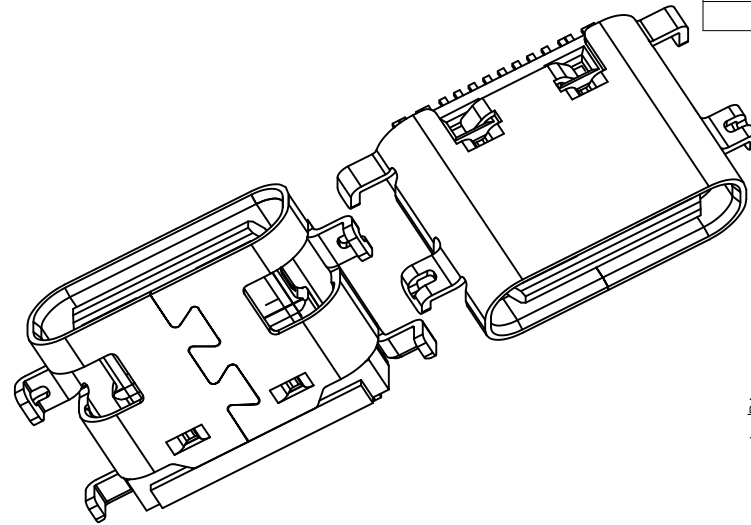
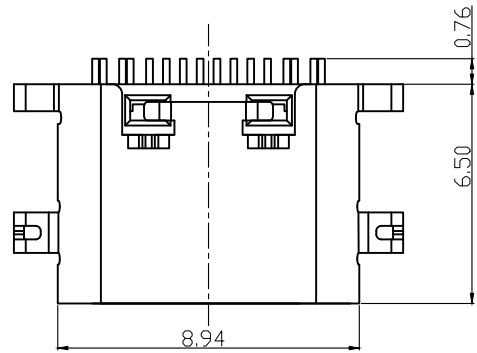
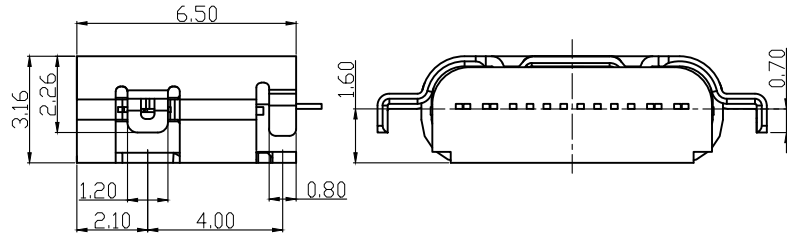
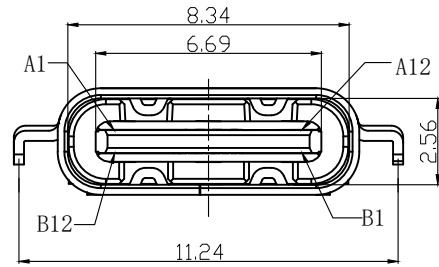


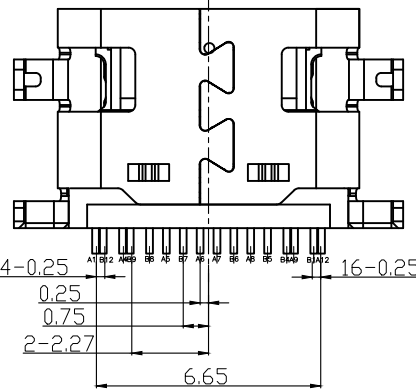
ECN NO.	REV	DATE	DESCRIPTION	APP'D
	AO	2020-5-19	drawing release	kevin



RECOMMENDED P.C.B. LAYOUT
TOLERANCE UNSPECIFIED ±0.05mm



Product Edge
0.10



- NOTES:
SPECIFICATION:
- CURRENT RATING: 5.0A MAX
 - VOLTAGE: 100 VAC
 - TEMPERATURE RANGE: -30 °C ~ 85 °C
 - CONTACT RESISTANCE: 40 MILLIONHM MAX
 - INSULATION RESISTANCE: 100 MEGOHMS MIN.
 - INSERTION FORCE : 5N~20N
 - UNMATING FORCE: 8N~20N
 - DURABILITY: 10,000 CYCLES

A1	GND	B12	GND
A4	VBUS	B9	VBUS
A5	CC1	B8	SBU2
A6	DP1	B7	DN2
A7	DN1	B6	DP2
A8	SBU1	B5	CC2
A9	VBUS	B4	VBUS
A12	GND	B1	GND
PIN	SIGNAL NAME	PIN	SIGNAL NAME

6	SHELL	STAINLESS STEEL	NI Plated	1PCS
5	SHIELDING PLATE	STAINLESS STEEL	---	1PCS
4	MD	HIGH TEMPERATURE PLASTIC	BLACK	1PCS
3	CONTACT	COPPER ALLOY C2680	Au/Ni Plated	1SET
2	CONTACT	COPPER ALLOY C2680	Au/Ni Plated	1SET
1	HOUSING	HIGH TEMPERATURE PLASTIC	BLACK	1PCS
NO.	DESCRIPTION	MATERIAL	REMARKS	QTY

LINEAR	ANGLE	NAME(INTENDED USE) TYPE C F	东莞市全晟通精密制造有限公司 DONGGUAN QUAN SHENG TONG PRECISION MANUFACTURING CO. LID. TITLE: CUSTOMER DRAWING C F 单排16P, L=6.50沉板1.60 CONN DWG NO.: UB-0018								
X. ±0.50	X° ± 2°	PART NO.(INTENDED USE) UB08-81421X18									
.X ±0.30	.X° ± 1°	APPD:									
.XX ±0.20	.XX° ± 0.5°	CHKD: kevin.huang									
.XXX ±0.10		DR: kevin.huang 12/9-20									
GENERAL TOLERANCE UNLESS OTHERWISE NOTED			<table border="1"> <tr> <td>UNITS</td> <td>SCALE</td> <td>SHEET</td> <td>REV.</td> </tr> <tr> <td>mm</td> <td>N/A</td> <td>1/1</td> <td>AO</td> </tr> </table>	UNITS	SCALE	SHEET	REV.	mm	N/A	1/1	AO
UNITS	SCALE	SHEET	REV.								
mm	N/A	1/1	AO								