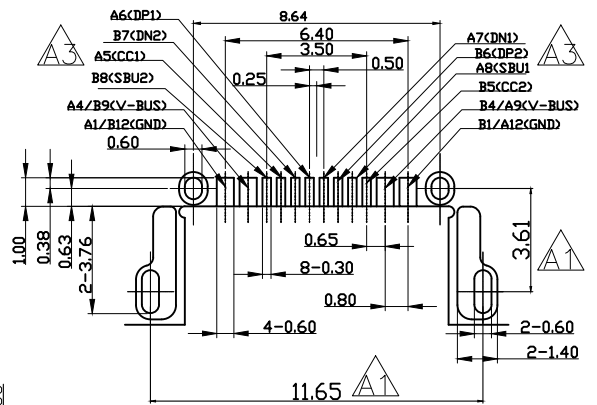
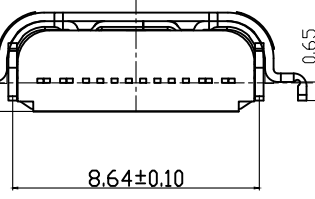
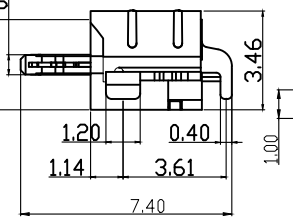
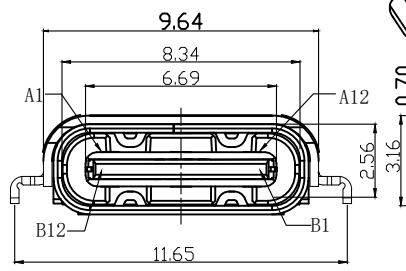
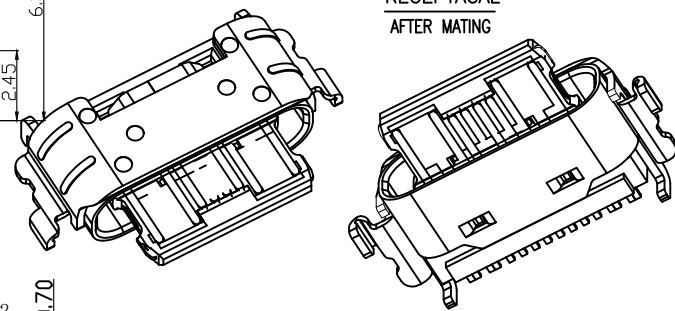


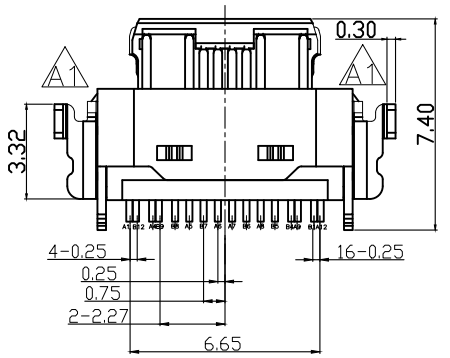
RECEPTACAL
AFTER MATING



RECOMMENDED P.C.B. LAYOUT

A 电路

| A1 | GND | B12 | GND |
|-----|-------------|-----|-------------|
| A4 | VBUS | B9 | VBUS |
| A5 | CC1 | B8 | SBU2 |
| A6 | DP1 | B7 | DN2 |
| A7 | DN1 | B6 | DP2 |
| A8 | SBU1 | B5 | CC2 |
| A9 | VBUS | B4 | VBUS |
| A12 | GND | B1 | GND |
| PIN | SIGNAL NAME | PIN | SIGNAL NAME |



- NOTES:
SPECIFICATION:
- CURRENT RATING: 5.0A MAX
 - VOLTAGE: 100 VAC
 - TEMPERATURE RANGE: -30 °C ~ 85 °C
 - CONTACT RESISTANCE: 40 MILLIONHM MAX
 - INSULATION RESISTANCE: 100 MEGOHMS MIN.
 - INSERTION FORCE : 5N~20N
 - UNMATING FORCE: 8N~20N
 - DURABILITY: 10,000 CYCLES

备注:

| NO. | 料号 | 胶芯颜色 | 电镀规格 |
|-----|---------------|------|------|
| 1 | UB16-81421001 | 黑色 | 11" |
| 2 | | 黑色 | 30" |
| 3 | | 黑色 | 50" |
| 4 | | 黑色 | 300" |

| NO. | DESCRIPTION | MATERIAL | REMARKS | QTY |
|-----|-----------------|--------------------------|--------------|------|
| 7 | COVER SHELL | STAINLESS STEEL | Ni Plated | 1PCS |
| 6 | SHELL | STAINLESS STEEL | Ni Plated | 1PCS |
| 5 | SHIELDING PLATE | STAINLESS STEEL | --- | 1PCS |
| 4 | MD | HIGH TEMPERATURE PLASTIC | BLACK | 1PCS |
| 3 | CONTACT | COPPER ALLOY | Au/Ni Plated | 1SET |
| 2 | CONTACT | COPPER ALLOY | Au/Ni Plated | 1SET |
| 1 | HOUSING | HIGH TEMPERATURE PLASTIC | BLACK | 1PCS |

| LINEAR | ANGLE | NAME (INTENDED USE) | <p>东莞市全晟通精密制造有限公司 DONGGUAN QUAN SHENG TONG PRECISION MANUFACTURING CO., LTD.</p> |
|---|-------------|-------------------------|--|
| X. ±0.50 | X° ± 2° | TYPE C F | |
| .X ±0.30 | .X° ± 1° | PART NO. (INTENDED USE) | |
| .XX ±0.20 | .XX° ± 0.5° | UB16-81421B19 | |
| .XXX ±0.10 | | APPD: | TITLE: CUSTOMER DRAWING C F 单排16P 沉板1.00 CONN |
| GENERAL TOLERANCE UNLESS OTHERWISE NOTED | | CHKD: kevin.huang | DWG NO.: UB-0001 |
| | | DR: kevin.huang 3/9-21 | UNITS: mm SCALE: N/A SHEET: 1/1 REV: A3 |

| ECN NO. | REV | DATE | DESCRIPTION | APP'D |
|---------|-----|-----------|-----------------|-------|
| | A0 | 2021-3-9 | drawing release | kevin |
| | A1 | 2021-3-22 | drawing modify | kevin |
| | A2 | 2021-8-20 | drawing modify | kevin |
| | A3 | 2021-11-4 | drawing modify | kevin |