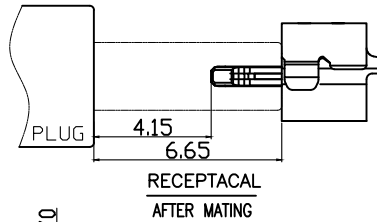
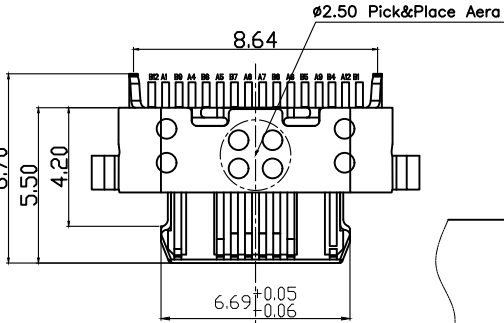
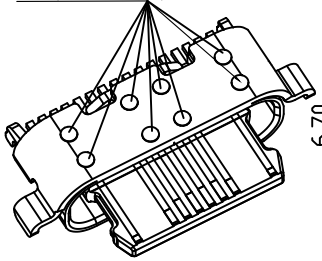
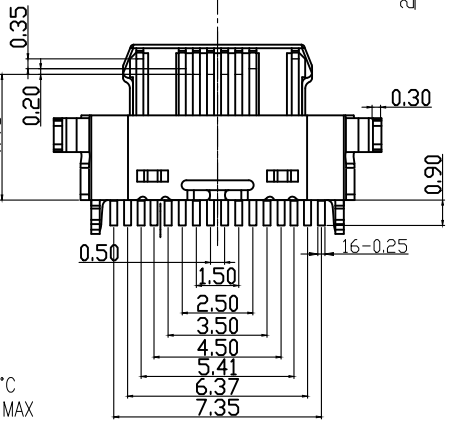
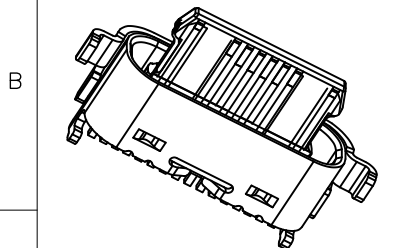
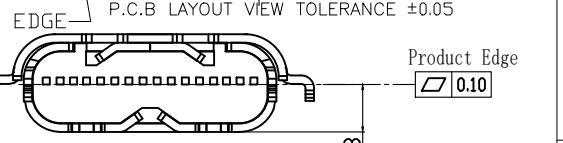
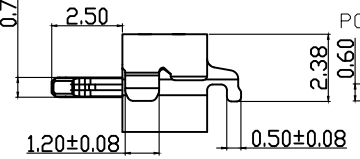
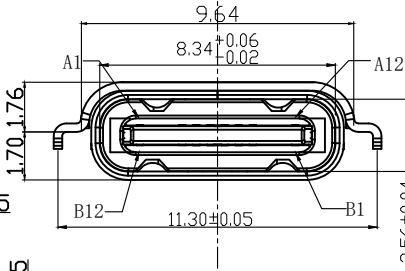
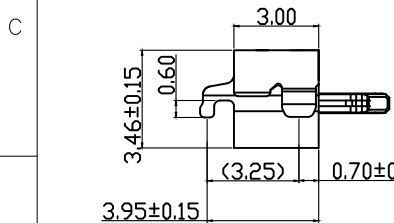
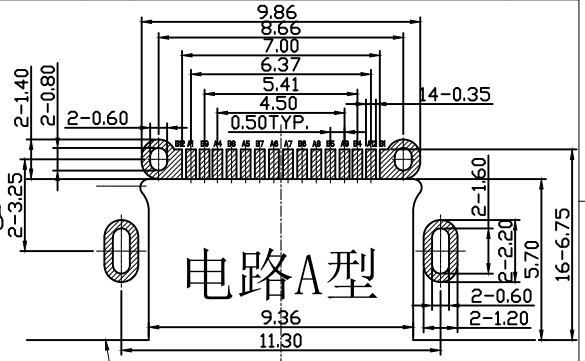


激光点焊8处



ECN NO.	REV	DATE	DESCRIPTION	APP'D
	A0	2024-3-3	drawing release	kevin
	A1	2024-5-9	外壳向前移0.11 中心距变为11.30	kevin
	A2	2024-7-5	由1+1U"变更为30+1U"	kevin



- NOTES:
SPECIFICATION:
- CURRENT RATING: 8.0A MAX
 - VOLTAGE: 100 VAC
 - TEMPERATURE RANGE: -30 °C ~ 85 °C
 - CONTACT RESISTANCE: 40 MILLIONHM
 - INSULATION RESISTANCE: 100 MEGOHMS MIN.
 - INSERTION FORCE : 5N~20N
 - UNMATING FORCE: 8N~20N
 - DURABILITY: 10,000 CYCLES

NO.	DESCRIPTION	MATERIAL	REMARKS	QTY
7	COVER SHELL	STAINLESS STEEL	NI Plated	1PCS
6	SHELL	STAINLESS STEEL	NI Plated	1PCS
5	SHIELDING PLATE	STAINLESS STEEL	---	1PCS
4	MD	HIGH TEMPERATURE PLASTIC	BLACK	1PCS
3	CONTACT	COPPER ALLOY	Au30+1U" /NI Plated	1SET
2	CONTACT	COPPER ALLOY	Au30+1U" /NI Plated	1SET
1	HOUSING	HIGH TEMPERATURE PLASTIC	PA9T-GP2450 BLACK	1PCS

LINEAR	ANGLE	NAME(INTENDED USE) TYPE C F
.X ±0.50	.X° ± 2°	PART NO.(INTENDED USE) UB16-81421B45
.X ±0.30	.X° ± 1°	
.XX ±0.20	.XX° ± 0.5°	
.XXX ±0.10		APPD: CHKD: kevin.huang DR: kevin.huang 7/5-24

东莞市全晟通精密制造有限公司
DONGGUAN QUAN SHENG TONG PRECISION MANUFACTURING CO. LTD.

TITLE: CUSTOMER DRAWING
双壳大电流沉板1.68 CONN-电路A型

DWG NO.: UB-0045

UNITS	SCALE	SHEET	REV.
mm	N/A	1/1	A2

PIN ASSIGNMENT												BLADE	SHELL
A1	A2	A3	A4	A5	A6	A7	A8	A9	A10	A11	A12		
GND	TX1	TX1	VBUS	CC1	D+	D-	SBU1	VBUS	RX2	RX2	GND		
GND	RX1+	RX1-	VBUS	SBU2	D+	D-	CC2	VBUS	TX2-	TX2+	GND		
B12	B11	B10	B9	B8	B7	B6	B5	B4	B3	B2	B1		

GENERAL TOLERANCE UNLESS OTHERWISE NOTED