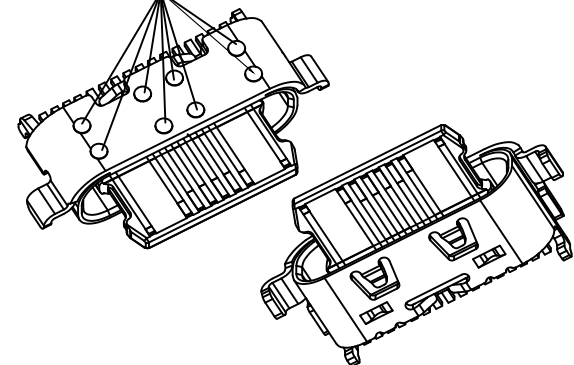


ECN NO.	REV	DATE	DESCRIPTION	APP'D
	AO	2024-4-10	drawing release	kevin

激光点焊8处



- NOTES:
SPECIFICATION:
- CURRENT RATING: 8.0A MAX
 - VOLTAGE: 100 VAC
 - TEMPERATURE RANGE: -30 °C ~ 85 °C
 - CONTACT RESISTANCE: 40 MILLIONHM MAX
 - INSULATION RESISTANCE: 100 MEGOHMS MIN.
 - INSERTION FORCE : 5N~20N
 - UNMATING FORCE: 8N~20N
 - DURABILITY: 10,000 CYCLES

NO.	DESCRIPTION	MATERIAL	REMARKS	QTY
7	COVER SHELL	STAINLESS STEEL	NI Plated	1PCS
6	SHELL	STAINLESS STEEL	NI Plated	1PCS
5	SHIELDING PLATE	STAINLESS STEEL	---	1PCS
4	MD	HIGH TEMPERATURE PLASTIC	BLACK	1PCS
3	CONTACT	COPPER ALLOY	Au30+1U" /NI Plated	1SET
2	CONTACT	COPPER ALLOY	Au30+1U" /NI Plated	1SET
1	HOUSING	HIGH TEMPERATURE PLASTIC	PA9T-GP2450 BLACK	1PCS

PIN ASSIGNMENT												BLADE	SHELL
A1	A2	A3	A4	A5	A6	A7	A8	A9	A10	A11	A12		
GND	TX1	TX2	VBUS	CC1	D+	D-	SBUS1	VBUS	RX2	RX1	GND		
GND	Rx1+	Rx1-	VBUS	SBUS2	D+	D-	CC2	VBUS	TX2+	TX2-	GND	GND	GND
B12	B11	B10	B9	B8	B7	B6	B5	B4	B3	B2	B1		

东莞市全晟通精密制造有限公司
DONGGUAN QUAN SHENG TONG PRECISION MANUFACTURING CO.LTD.

TITLE:	CUSTOMER DRAWING 双壳大电流沉板1.68
DWG NO.:	UB-0045
UNITS	mm
SCALE	N/A
SHEET	1/1
REV.	AO

LINEAR	ANGLE	NAME(INTENDED USE) TYPE C F
X. ±0.50	X'± 2°	PART NO.(INTENDED USE)
.X ±0.30	.X'± 1°	UB16-81421D45 双壳1.68
.XX ±0.20	.XX'± 0.5°	APPD:
.XXX ±0.10		CHKD: kevin.huang
GENERAL TOLERANCE UNLESS OTHERWISE NOTED		DR: kevin.huang _{10/4-24}