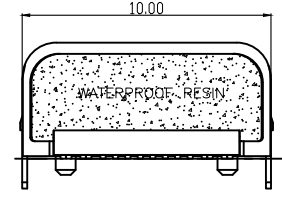
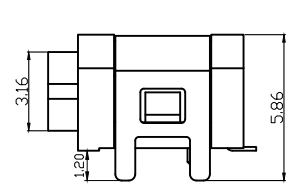
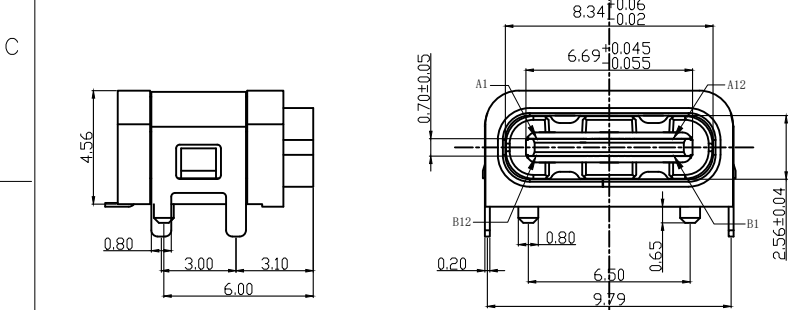
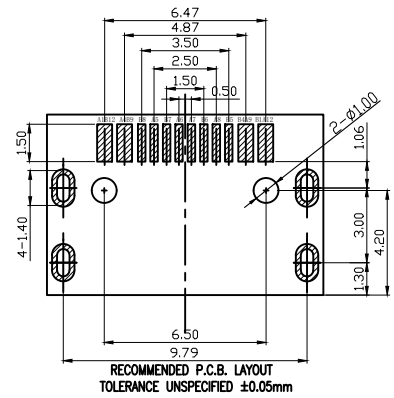
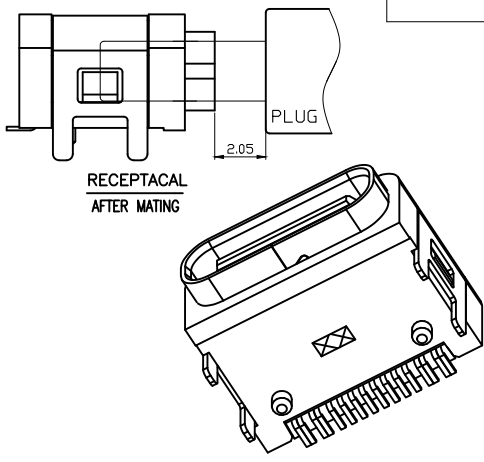
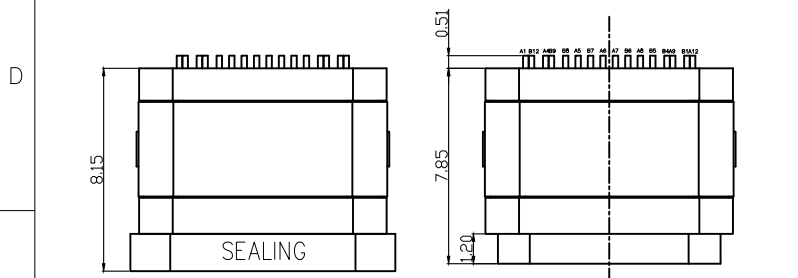


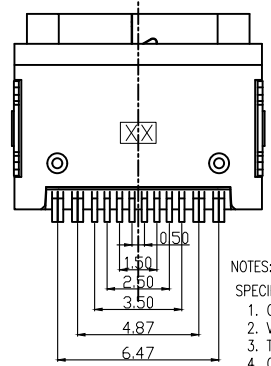
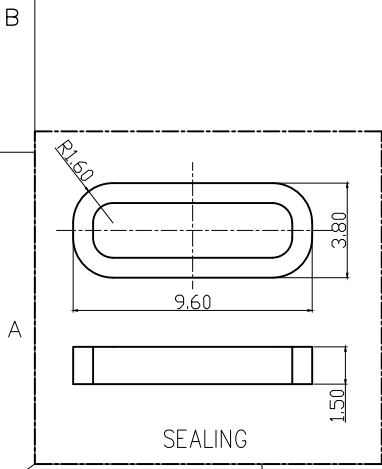
RoHS Compliant **Halogen Free**

ECN NO.	REV	DATE	DESCRIPTION	APP'D
	A0	2025-7-15	新版本发行	kevin



Product Edge
0.10

A1	GND	B12	GND
A4	VBUS	B9	VBUS
A5	CC1	B8	SBU2
A6	DF1	B7	DN2
A7	DN1	B6	DP2
A8	SBU1	B5	CC2
A9	VBUS	B4	VBUS
A12	GND	B1	GND
PIN	SIGNAL NAME	PIN	SIGNAL NAME



NOTES:
SPECIFICATION:
1. CURRENT RATING: 5.0A MAX
2. VOLTAGE: 100 VAC
3. TEMPERATURE RANGE: -30 °C ~ 85 °C
4. CONTACT RESISTANCE: 40 MILLIONHM MAX
5. INSULATION RESISTANCE: 100 MEGOHMS MIN.
6. INSERTION FORCE : 6N~20N
7. UNMATING FORCE: 8N~20N
8. DURABILITY: 10,000 CYCLES

9	DIAN JIAO	WATERPROOF RESIN	BLACK	1PCS
8	PLASTIC	HIGH TEMPERATURE PLASTIC	BLACK	1PCS
7	SEALING	SILICON DIOXIDE	BLACK	1PCS
6	SHELL	STAINLESS STEEL	NI Plated	1PCS
5	SHIELDING PLATE	STAINLESS STEEL	NO Plated	1PCS
4	MD	HIGH TEMPERATURE PLASTIC	BLACK	1PCS
3	CONTACT	COPPER ALLOY	Au1+1U"/NI Plated	1SET
2	CONTACT	COPPER ALLOY	Au1+1U"/NI Plated	1SET
1	HOUSING	HIGH TEMPERATURE PLASTIC	BLACK	1PCS
NO.	DESCRIPTION	MATERIAL	REMARKS	QTY

LINEAR	ANGLE	NAME(INTENDED USE) TYPE C F
X. ±0.50	X° ± 2°	PART NO.(INTENDED USE)
.X ±0.30	.X° ± 1°	UB16-81421Q22
.XX ±0.20	.XX° ± 0.5°	APPD:
.XXX ±0.10		CHKD: kevin.huang
GENERAL TOLERANCE UNLESS OTHERWISE NOTED		DR: Cindy.yuan 3/28-24

东莞市全晟通精密制造有限公司
DONGGUAN QUAN SHENG TONG PRECISION MANUFACTURING CO. LID.

TITLE: CUSTOMER DRAWING
TYPE-C F 16P SMT 7.85 Waterproof X7 CONN

DWG NO.: UB-0022

UNITS	SCALE	SHEET	REV.
mm	N/A	1/1	A0