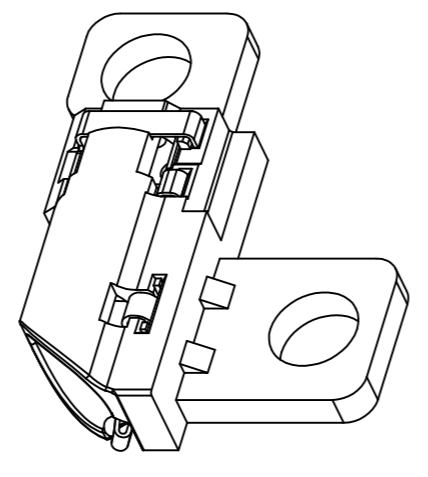
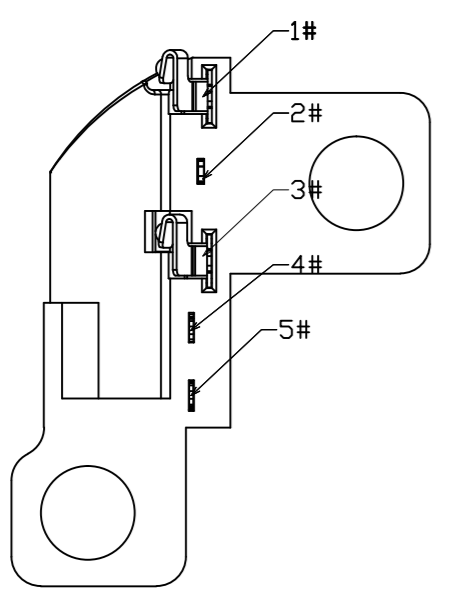
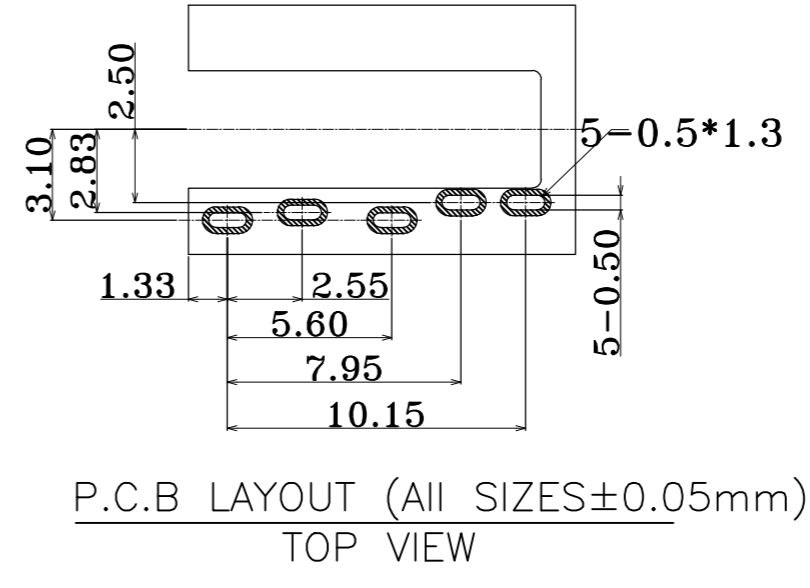
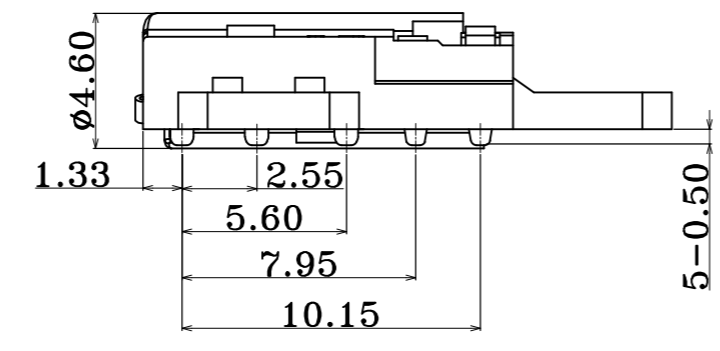
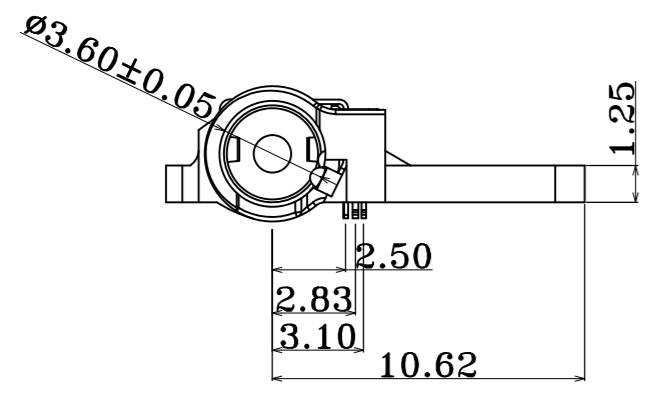
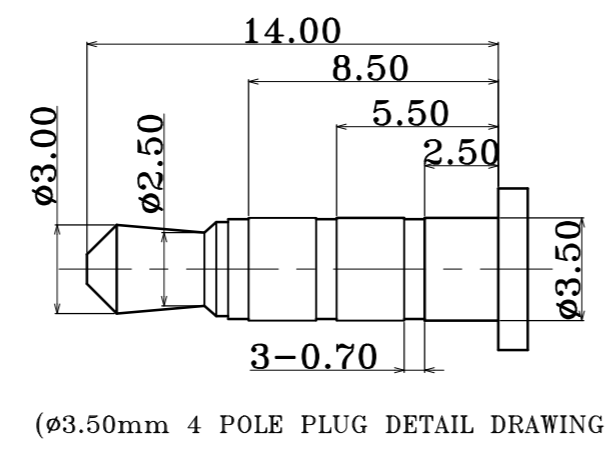
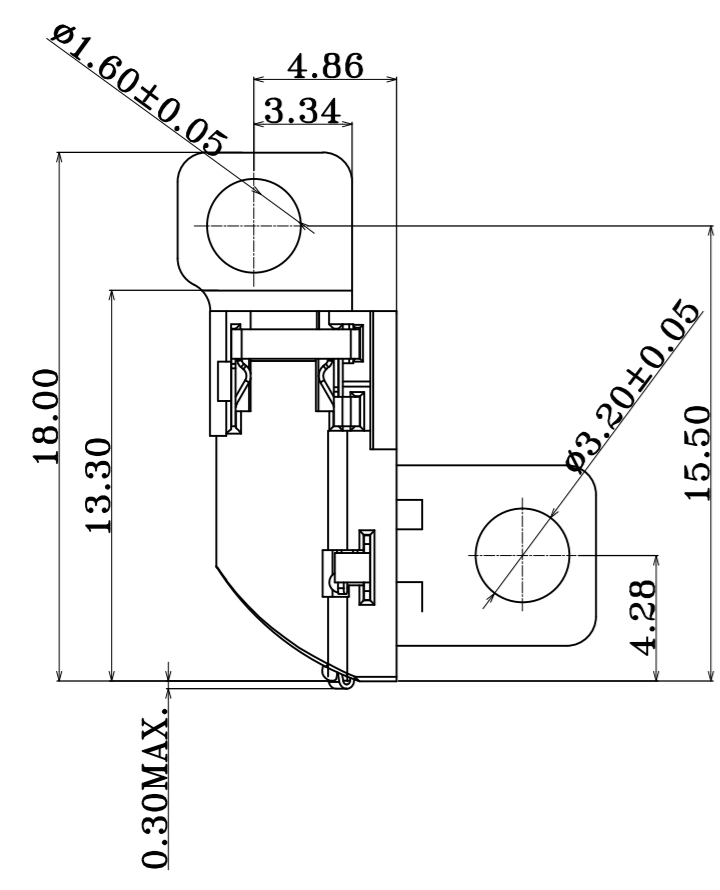
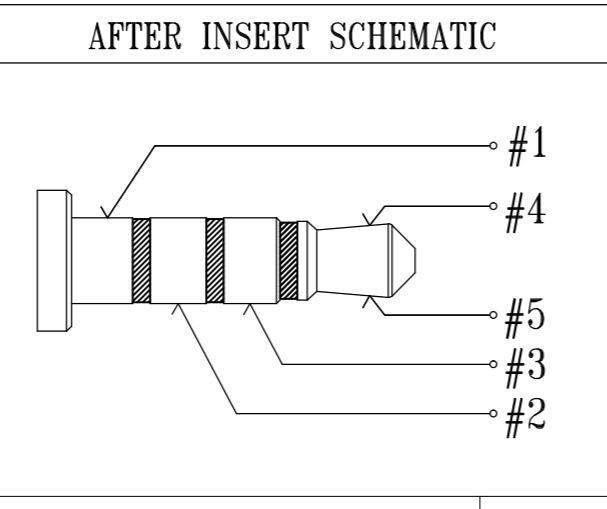
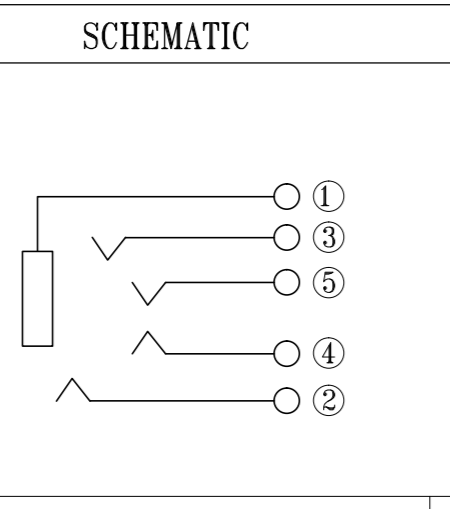
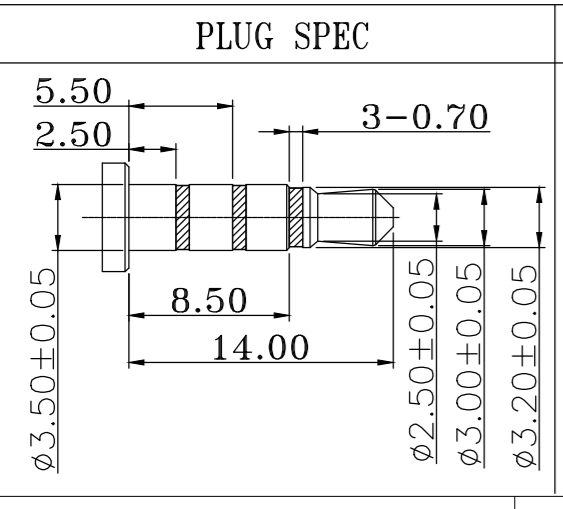


ECN NO.	REV	DATE	DESCRIPTION	APP'D
	A0	20120325	drawing release	kevin

- NOTE:
- CONTACT CURRENT RATING: 1A.
 - CONTACT RESISTANCE: 100 mΩ MAX.;
 - INSULATION RESISTANCE: 1000Ω MIN.;
 - DIELECTRIC WITHSTANDING: 500V AC MIN.;
 - DURABILITY: 5,000 CYCLES MIN.;
 - CONNECTOR MATING FORCES: 30N MAX.;
 - CONNECTOR UNMATING FORCES: 3N MIN.;



6	HOUSING	HIGH TEMP	BLACK	UL 94V-0
5	TERMINAL 5#	COPPER ALLOY T=0.15mm	_____	GOLD PLATING ON CONTACT & SOLDER TALL AREA ALL OVER NICKEL PLATING
4	TERMINAL 4#	COPPER ALLOY T=0.15mm	_____	
3	TERMINAL 3#	COPPER ALLOY T=0.15mm	_____	
2	TERMINAL 2#	COPPER ALLOY T=0.20mm	_____	
1	TERMINAL 1#	COPPER ALLOY T=0.15mm	_____	
NO.	DESCRIPTION	MATERIAL	COLOR	REMARK



LINEAR	ANGLE	NAME(INTENDED USE) PHONE JACK
X. ±0.35	X.XX ±0.15	PART NO.(INTENDED USE) PJ06-8142102
X. X ±0.25	X. XXX ±0.05	APPD:
		CHKD:
GENERAL TOLERANCE UNLESS OTHERWISE NOTED		DR: 3/9-16

东莞市全晟通精密制造有限公司
DONGGUAN QUAN SHENG TONG PRECISION MANUFACTURING CO. LID

TITLE: CUSTOMER DRAWING
PJ06-8142102

DWG NO.:

UNITS	SCALE	SHEET	REV.
mm	N/A	1/1	A0