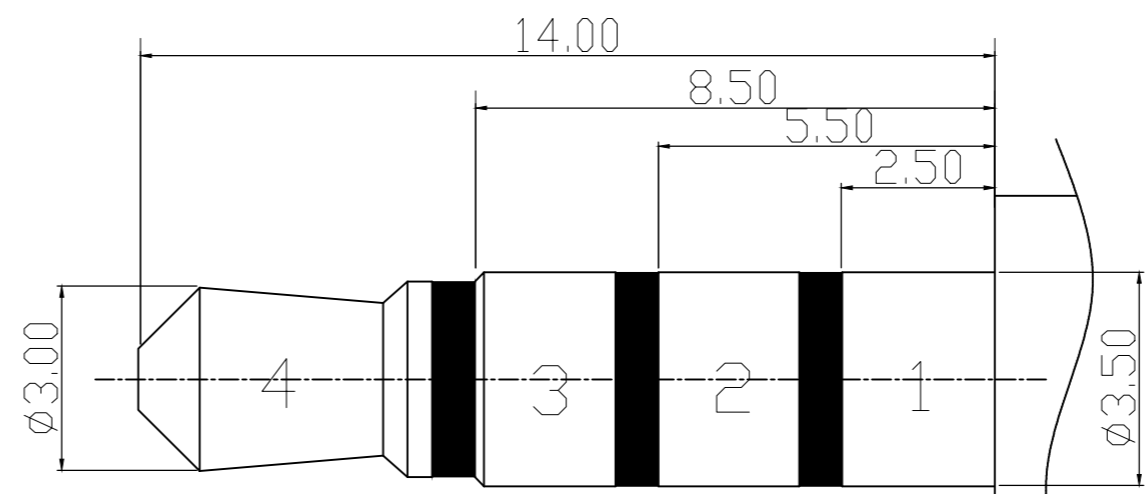
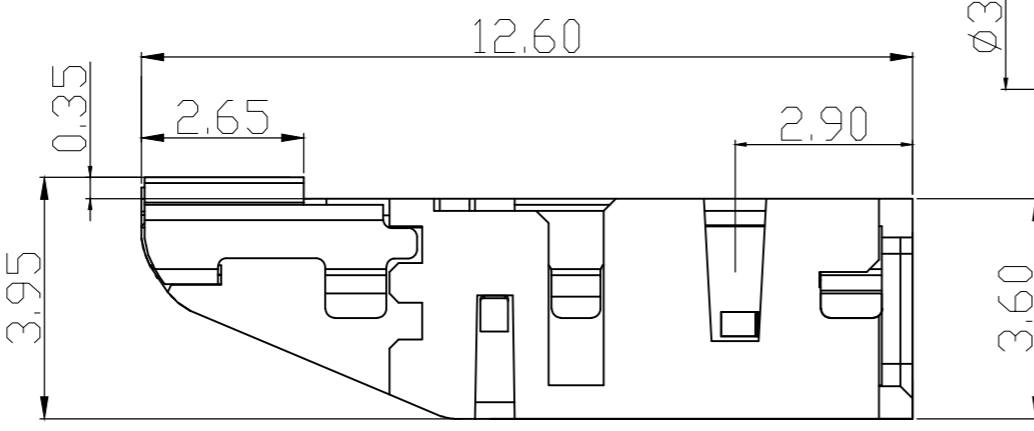
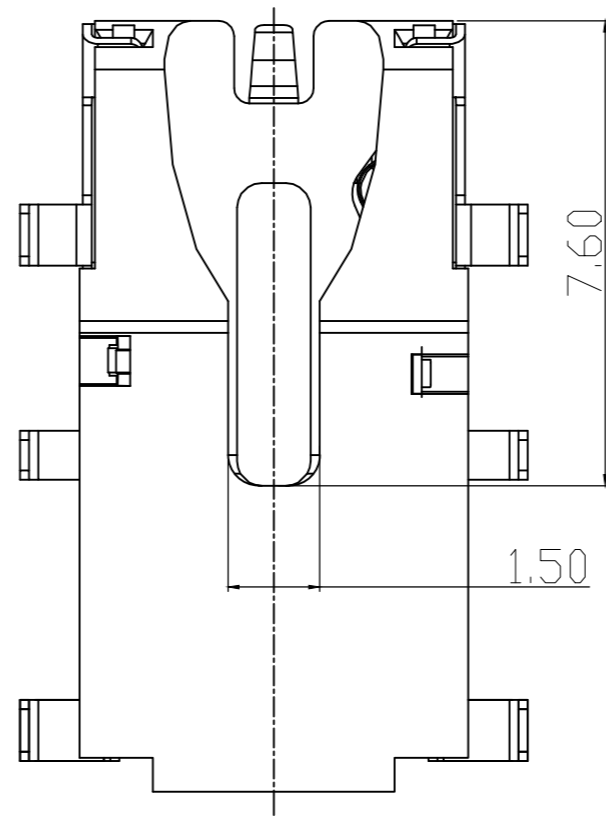
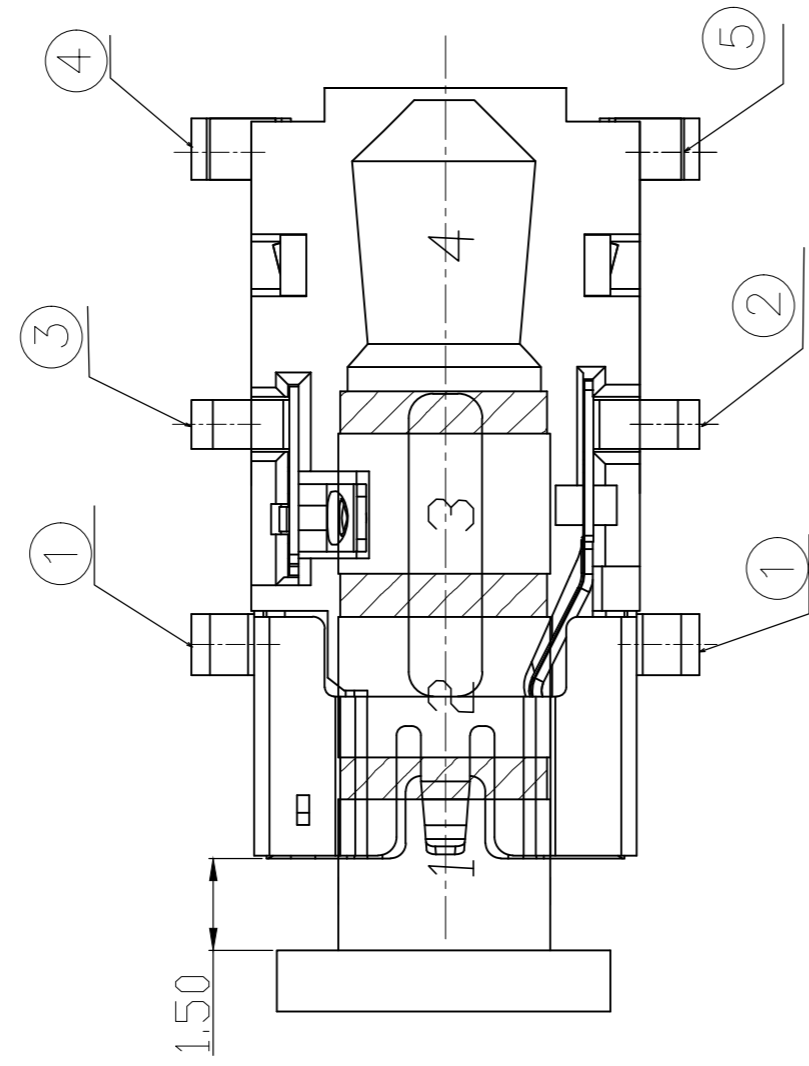
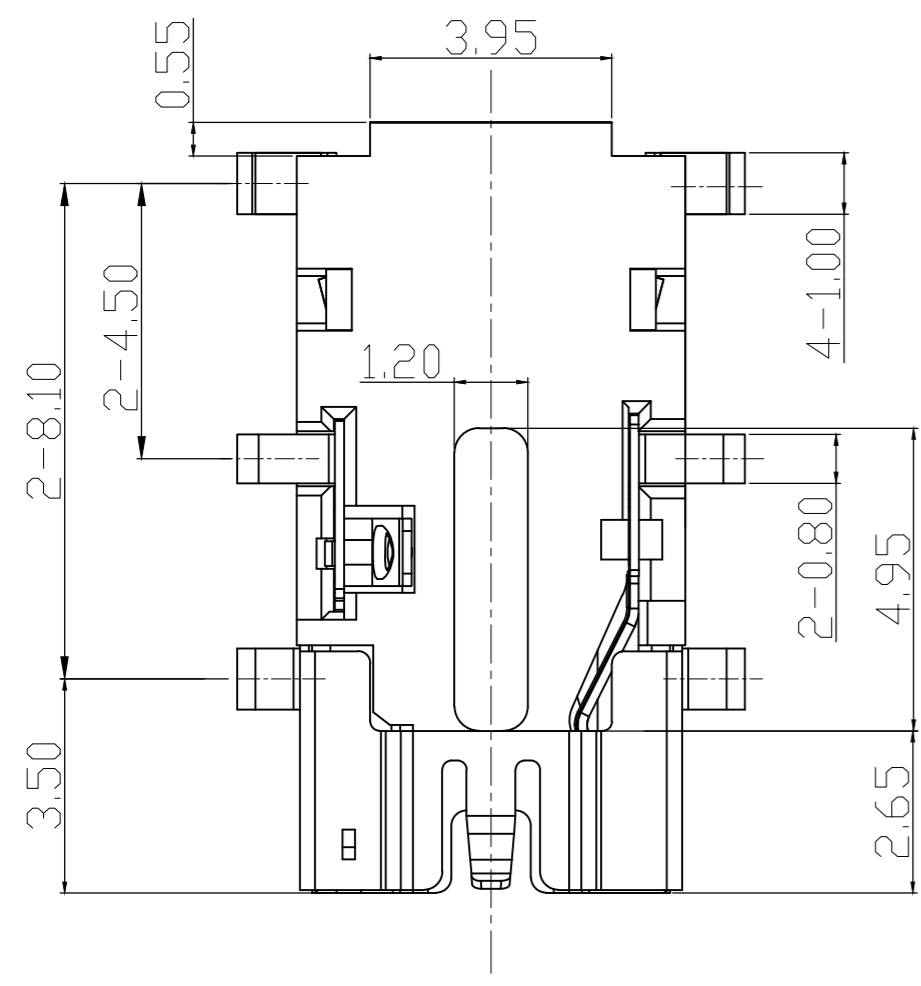
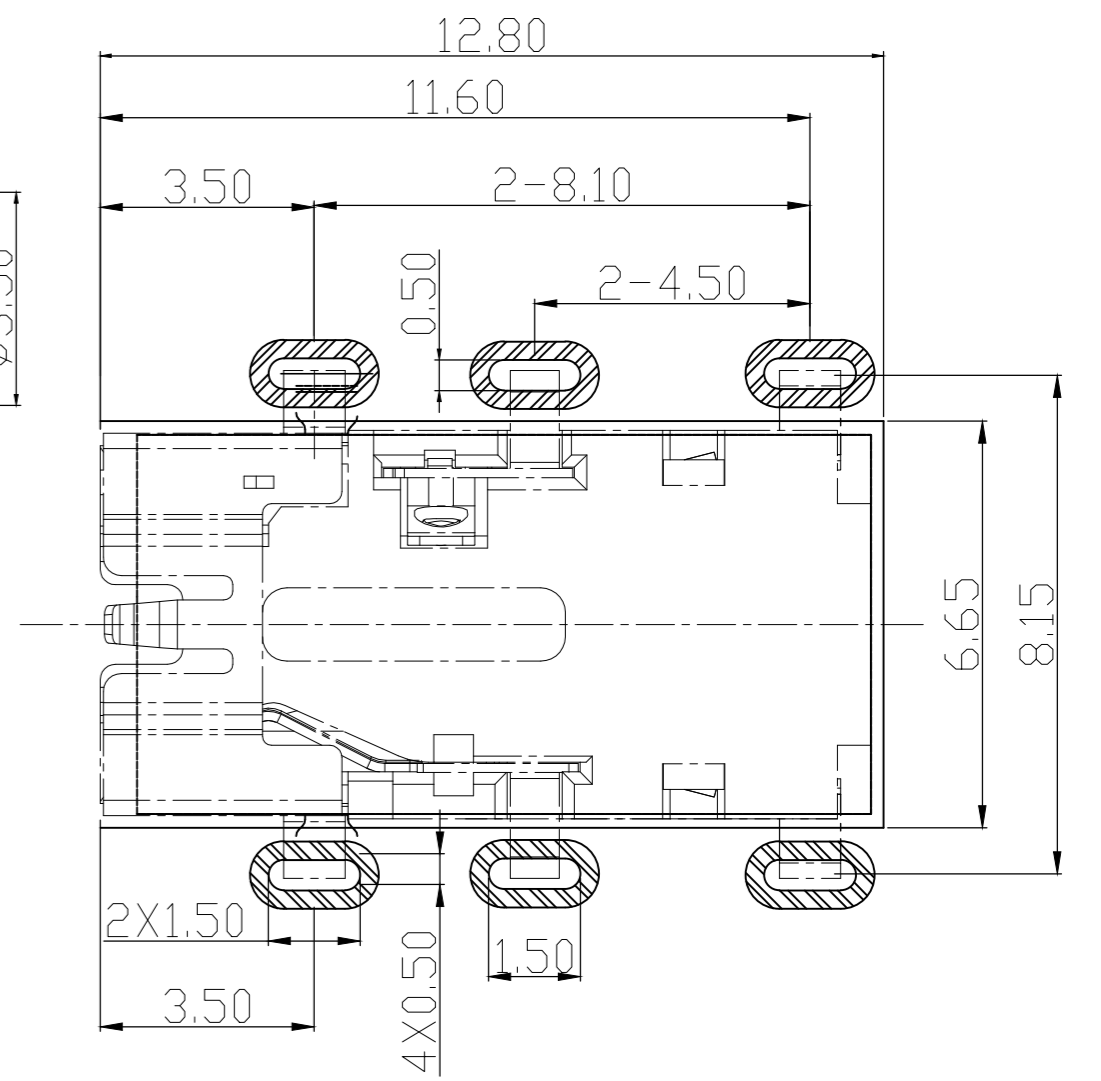


| 3       |     | 2        |                 | 1     |  |
|---------|-----|----------|-----------------|-------|--|
| ECN NO. | REV | DATE     | DESCRIPTION     | APP'D |  |
|         | A0  | 20120325 | drawing release | kevin |  |
|         |     |          |                 |       |  |

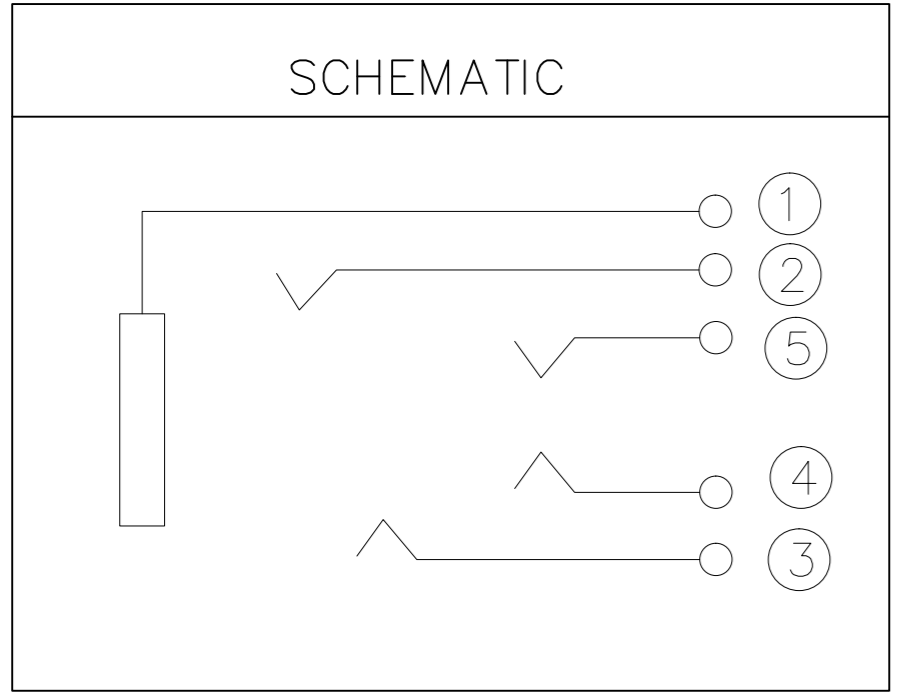
NOTES:  
 1.MATERIAL:  
 1.1 HOUSING: UL94V-0,COLOR: BLACK  
 1.2 CONTACT: SUS ALLOY  
 2.PLATING:  
 2.1 CONTACTS PLATING: SEE ORDERING INFORMATION  
 3.RATING  
 3.1 OPERATING VOLTAGE: 30VAC/DC.  
 3.2 CURRENT RATING: 0.5A AC/DC.  
 3.3 OPERATING TEMPERATURE: -25°C~+85°C



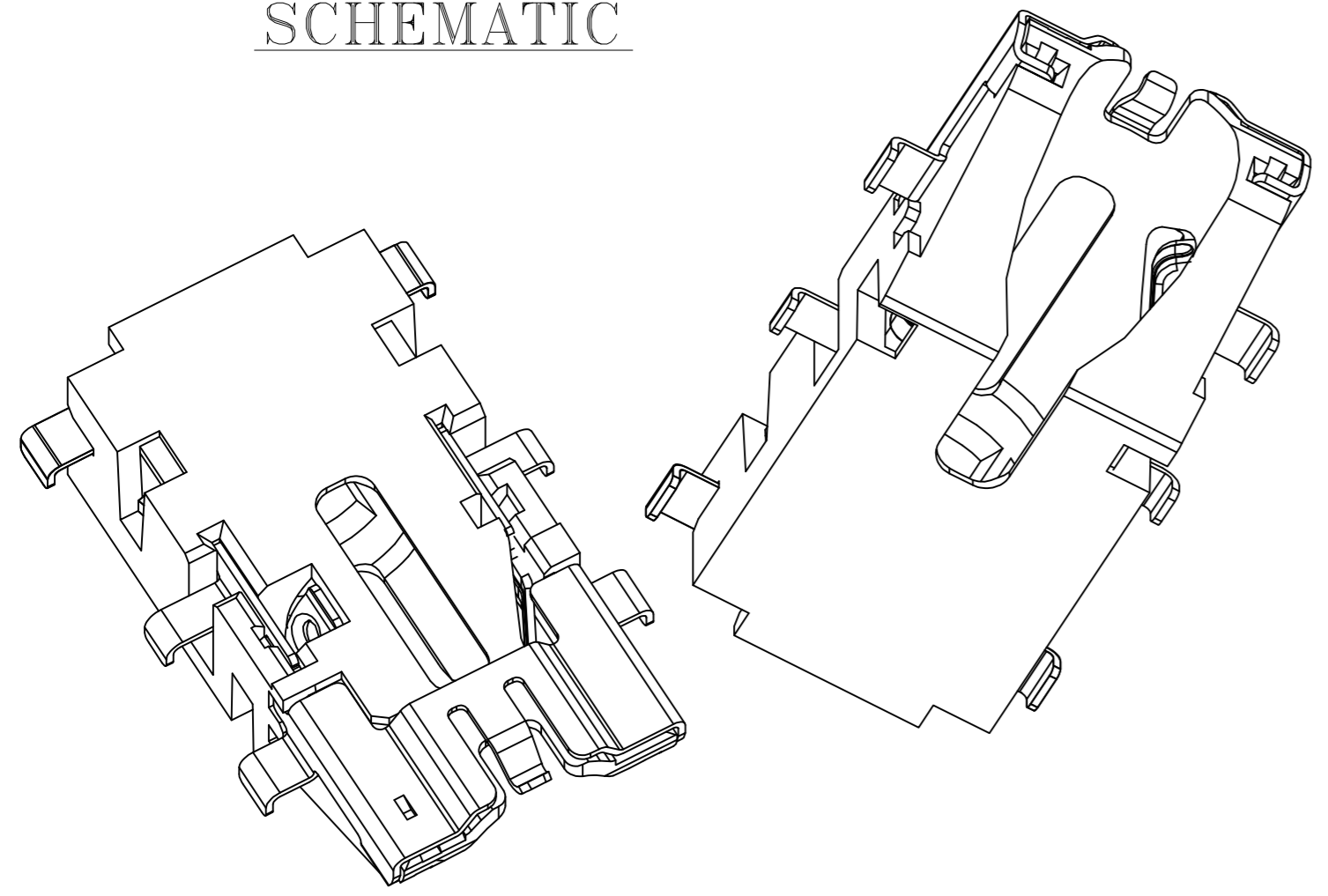
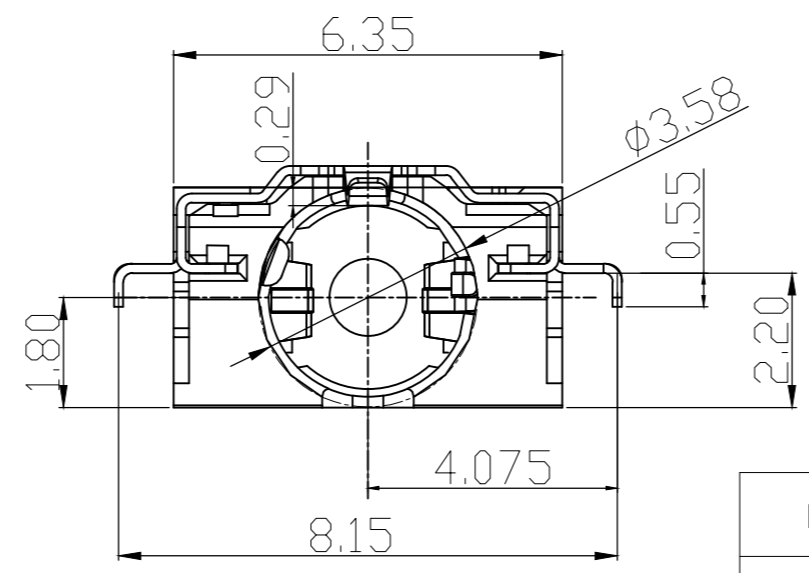
Ø3.50 4 POLE PLUG



RECOMMEND PCB LAYOUT  
 TOLERANCE ±0.05



SCHEMATIC



|   |       |  |  |
|---|-------|--|--|
| LINEAR                                      | ANGLE | NAME(INTENDED USE)<br>PHONE JACK       | 东莞市全晟通精密制造有限公司<br>DONGGUAN QUAN SHENG TONG PRECISION MANUFACTURING CO.,LTD |
| X. ±0.38                                    |       | PART NO.(INTENDED USE)<br>PJ06-8142259 |  |
| X. X ±0.25                                  |       | APPD:                                  | TITLE: CUSTOMER DRAWING<br>PJ06-8142259                                    |
| GENERAL TOLERANCE<br>UNLESS OTHERWISE NOTED |       |  | CHKD:  |
|   |       |  | DR:  |
|   |       |  | DWG NO.:   |
|   |       |  |  |
|   |       |  | UNITS  |
|   |       |  | mm   |
|   |       |  | SCALE  |
|   |       |  | N/A  |
|   |       |  | SHEET  |
|   |       |  | 1/1  |
|   |       |  | REV.   |
|   |       |  | A0   |