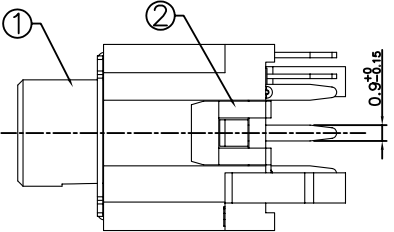
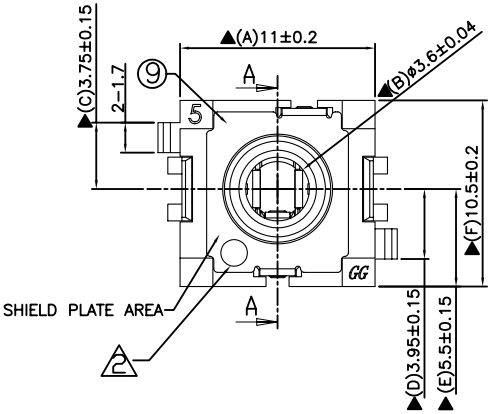
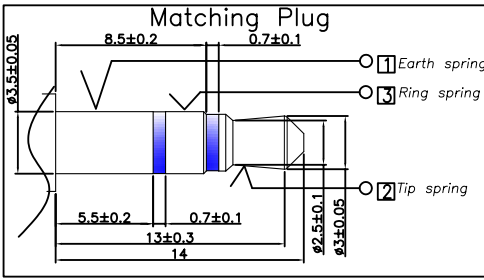
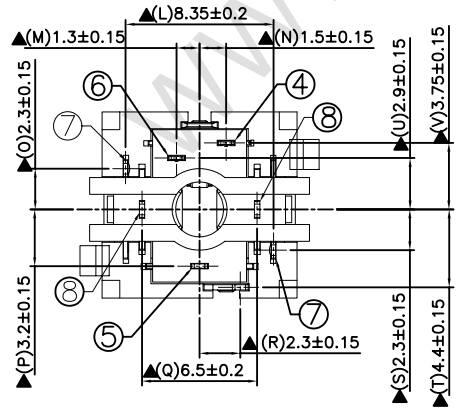
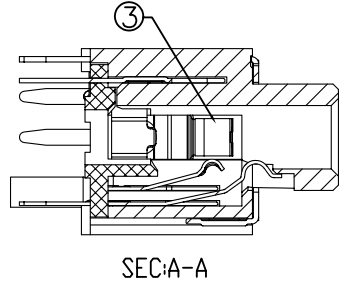
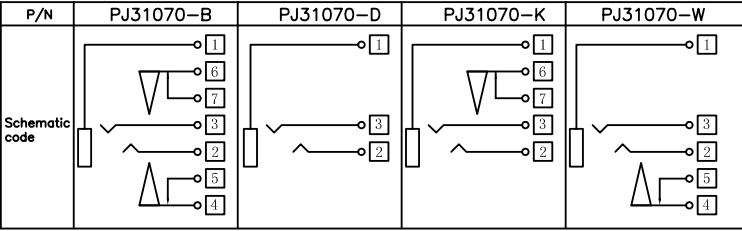
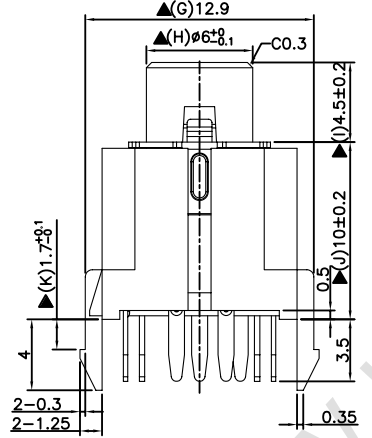
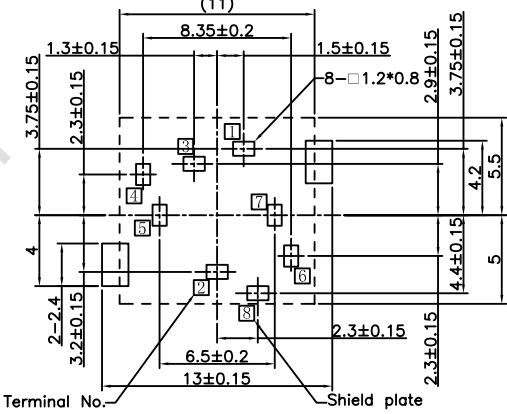


ECN NO.	REV	DATE	DESCRIPTION	APP'D
	A0	20120325	drawing release	kevin

- Specification:
- Rating : DC 30V 0.5A;
 - Contact resistance: $\leq 30m\Omega$;
After life test: $\leq 50m\Omega$
 - Insulation resistance: $\geq 100M\Omega$ (500VDC);
After life test: $\geq 50M\Omega$
 - Withstand voltage: 500VAC ;
 - Insertion and extraction force: 3N~30N;
 - life test: 5000cycles min;
 - Operation temperature range: $-20^{\circ}C \sim 70^{\circ}C$
 - Preservative temperature range: $-40^{\circ}C \sim 85^{\circ}C$
 - Sign"▲" is importance dimension



P. C. B Layout
(Printed-sided view)



⑨	Shield plate	1	Brass t=0.3	08	Tin plating
⑧	Break terminal	2	Brass t=0.3	05	Tin plating
⑦	Transfer spring	2	Phosphor bronze t0.25	04	Tin plating
⑥	Ring spring	1	Phosphor bronze t0.2	03	Tin plating
⑤	Tip spring	1	Phosphor bronze t0.25	02	Tin plating
④	Earth spring	1	Phosphor bronze t0.2	01	Tin plating
③	Insulator	2	POM	S4	plack
②	Cover	1	PA66	S2	Black
①	Housing	1	PBT	S1	
ITEM NO.	DESCRIPTION	QTY	MATERIAL	PART NO.	REMARK

LINEAR	ANGLE	NAME (INTENDED USE)
X.±	X.°±	PHONE JACK
.X± 0.38	.X°±	PART NO. (INTENDED USE)
.XX± 0.25	.XX°±	PJ06-8142317
.XXX±	.XXX°±	APPD:
		CHKD:
		DR:
GENERAL TOLERANCE UNLESS OTHERWISE NOTED		

东莞市全晟通精密制造有限公司
DONGGUAN QUAN SHENG TONG PRECISION MANUFACTURING CO. LTD

TITLE: CUSTOMER DRAWING
PJ06-8142317

DWG NO.:

UNITS	SCALE	SHEET	REV.
mm	N/A	1/1	AO

3/9-16