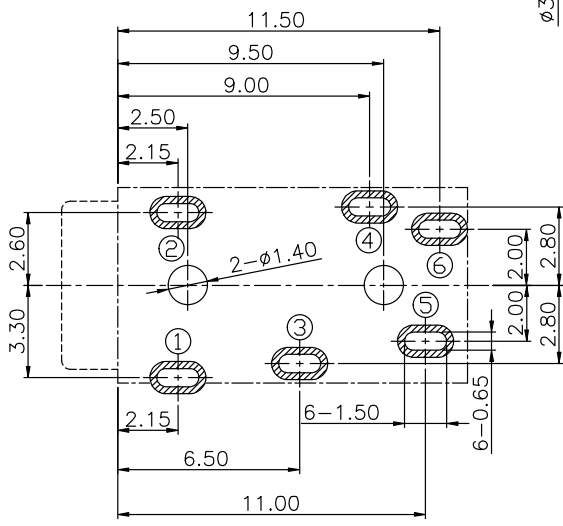
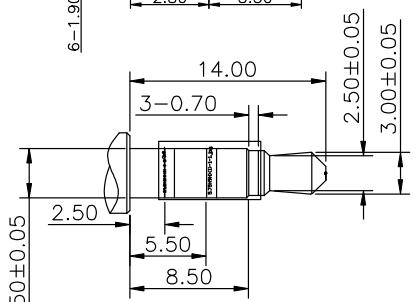
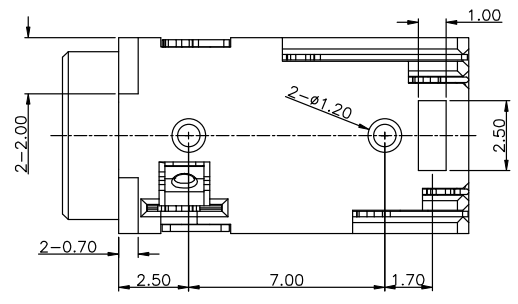
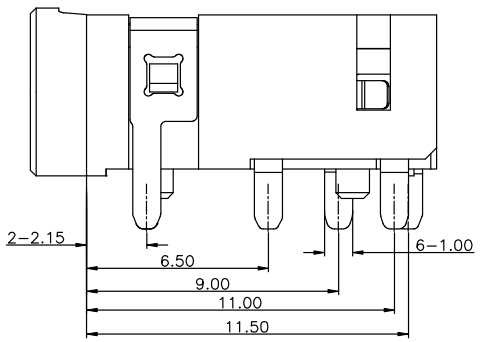
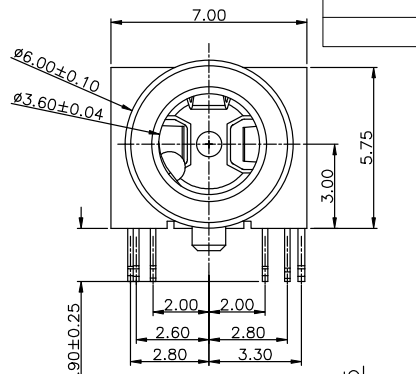
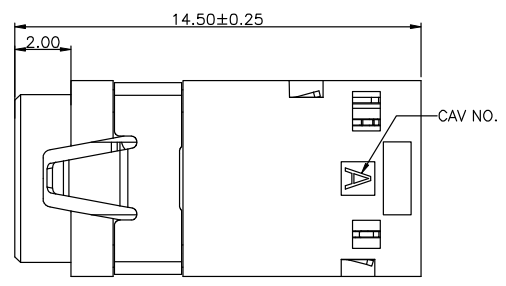
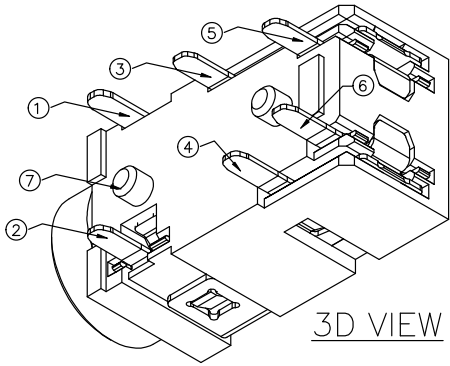
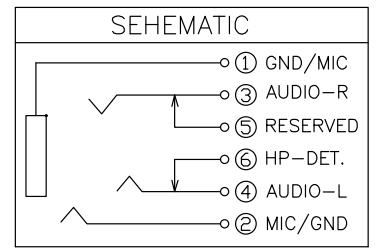


ECN NO.	REV	DATE	DESCRIPTION	APP'D
	A0	20120325	drawing release	kevin

NOTES:
 1.DIMENSIONS SHALL BE INTERPRETED PER ASME Y14.5-2009
 2.MATERIAL: SEE THE TABLE BELOW
 3.PLATING: SEE THE TABLE BELOW
 4.ELECTRICAL:
 4.1 CURRENT RATING: 12V 1A
 4.2 CONTACT RESISTANCE: 30mΩ MAX.AFTER TEST 50mΩ MAX.
 4.3 INSULATION RESISTANCE: 100MΩ MIN.(DC 500V)
 4.4 WITHSTAND VOLTAGE: 500V AC FOR 1 MINUTE
 5.MECHANICAL:
 5.1 INSERTION AND EXTRACTION FORCE:3N-30N
 5.2 DURABILITY: 5000 CYCLES
 6.ENVIRONMENTAL:
 6.1 OPERATION TEMPERATURE RANGE:-25℃~70℃ 85%RH
 6.2 PRESERVATION TEMPERATURE RANGE:-40℃~85℃ 85%RH



RECOMMENDED P.C.B. LAYOUT(TOP VIEW)
T=1.6MM TOLERANCE±0.05



NO	PAPT NAMF	MATTPIAL	O'TY	FINISI IING
⑧	MYLAR	POLYIMIDE	1	YELLOW
⑦	HOUSING	HIGH TEMPERATURE PLASTIC	1	BLACK
①-⑥	TERMINAL	PHOSPHOR BRONZE T=0.20	6	CONTACT AREA: GOLD FLASH SOLDER AREA: GOLD FLASH NICKEL PLATING OVER ALL

LINEAR	ANGLE	NAME(INTENDED USE) PHONE JACK
X. ±0.25	±3	PART NO.(INTENDED USE) PJ06-8142321
X.x ±0.20		APPD:
X.xx ±0.15		CHKD:
X.xxx ±0.10		DR:
GENERAL TOLERANCE UNLESS OTHERWISE NOTED		3/9-16

东莞市全晟通精密制造有限公司
 DONGGUAN QUAN SHENG TONG PRECISION MANUFACTURING CO. LTD
 TITLE: CUSTOMER DRAWING
 PJ06-8142321
 DWG NO.:

UNITS	SCALE	SHEET	REV.
mm	N/A	1/1	AO

