

ECN NO.	REV	DATE	DESCRIPTION	APP'D
	A0	20120325	drawing release	kevin

NOTES:

1.MATERIAL:

1.1 HOUSING: UL94V-0,COLOR: BLACK

1.2 CONTACT: SUS ALLOY

2.PLATING:

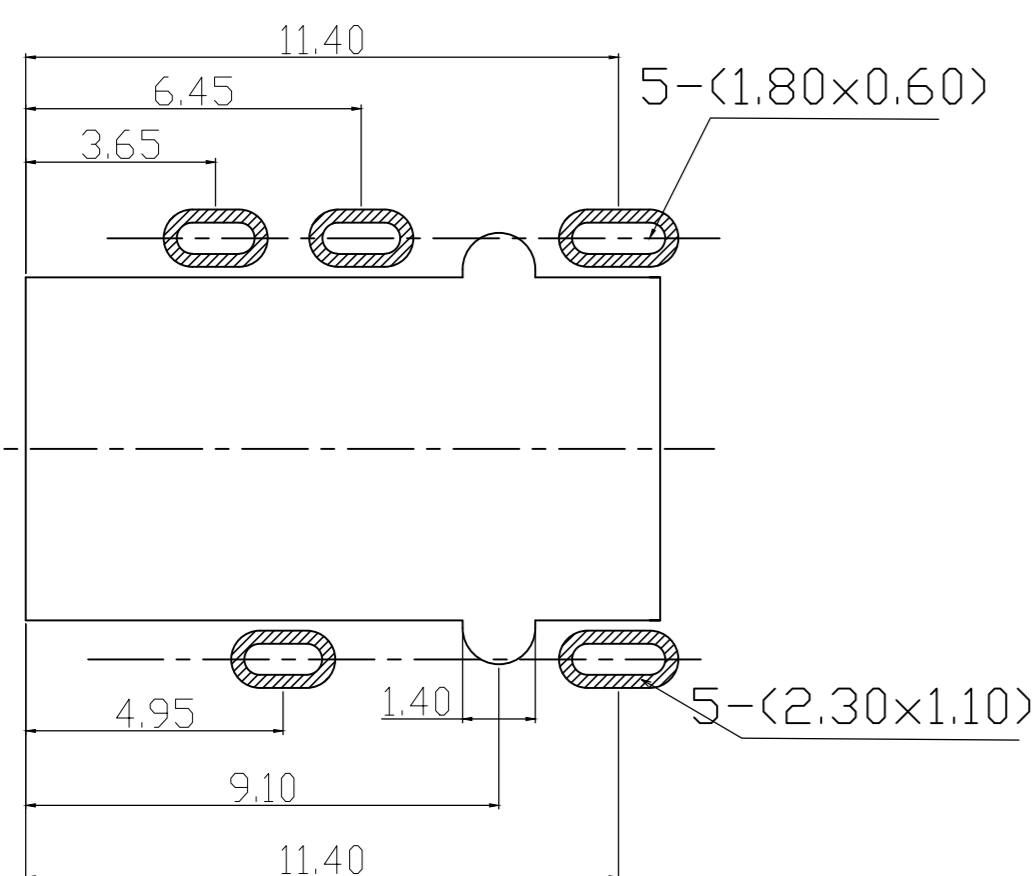
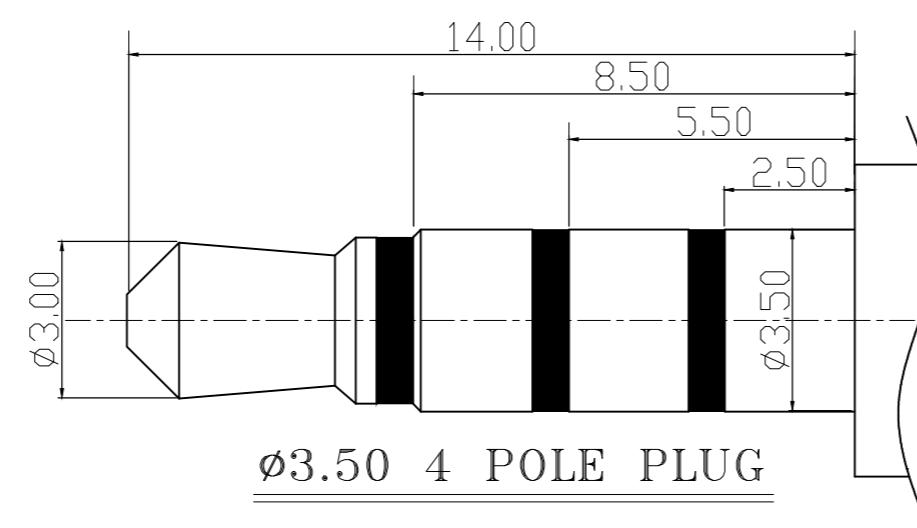
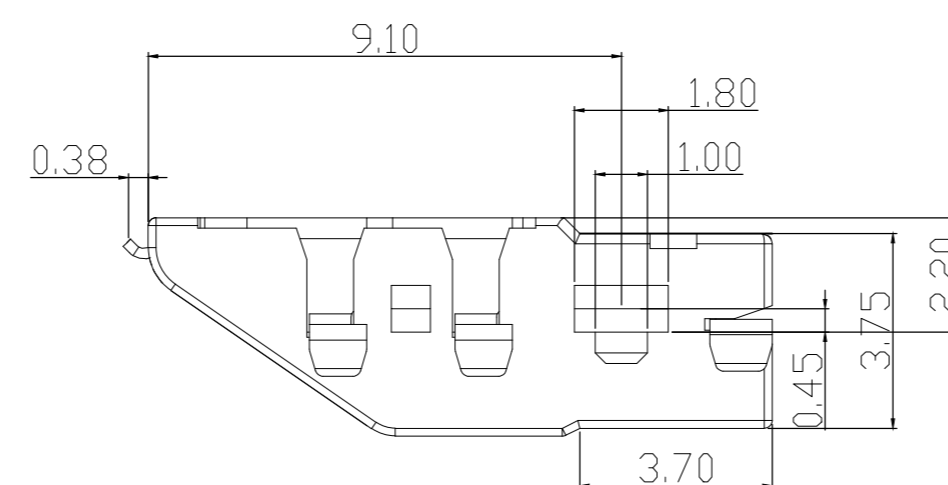
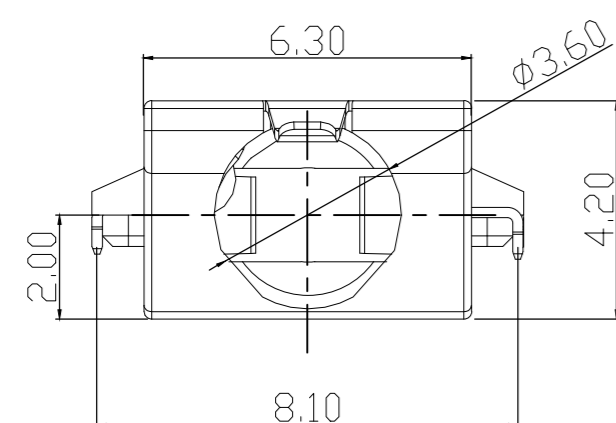
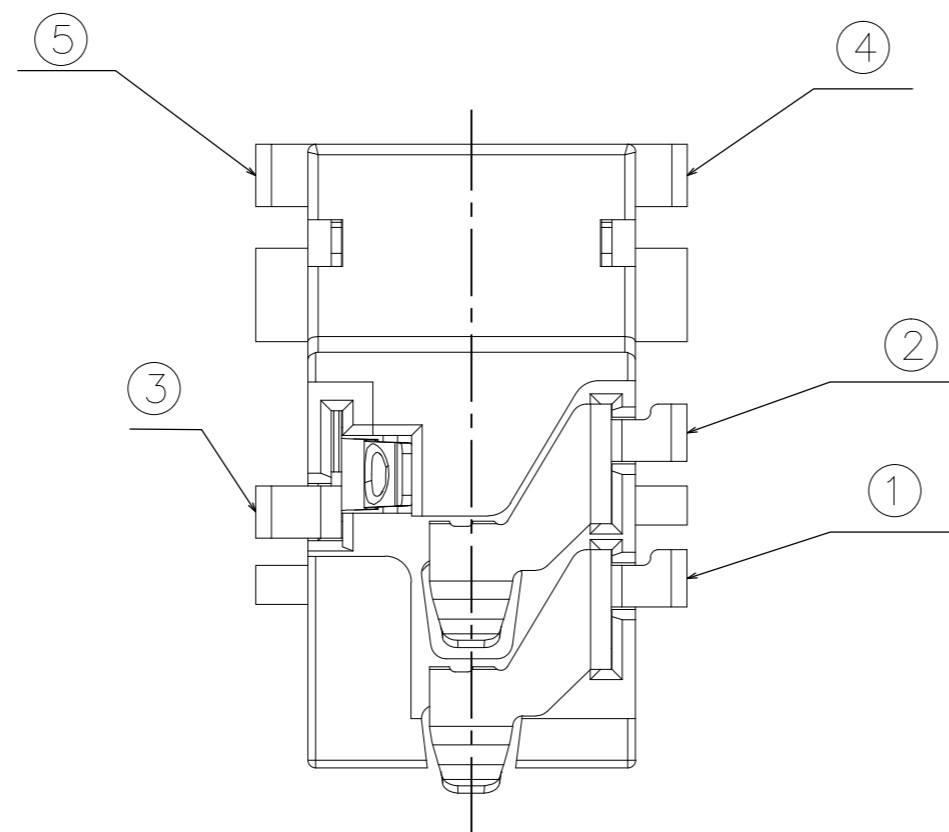
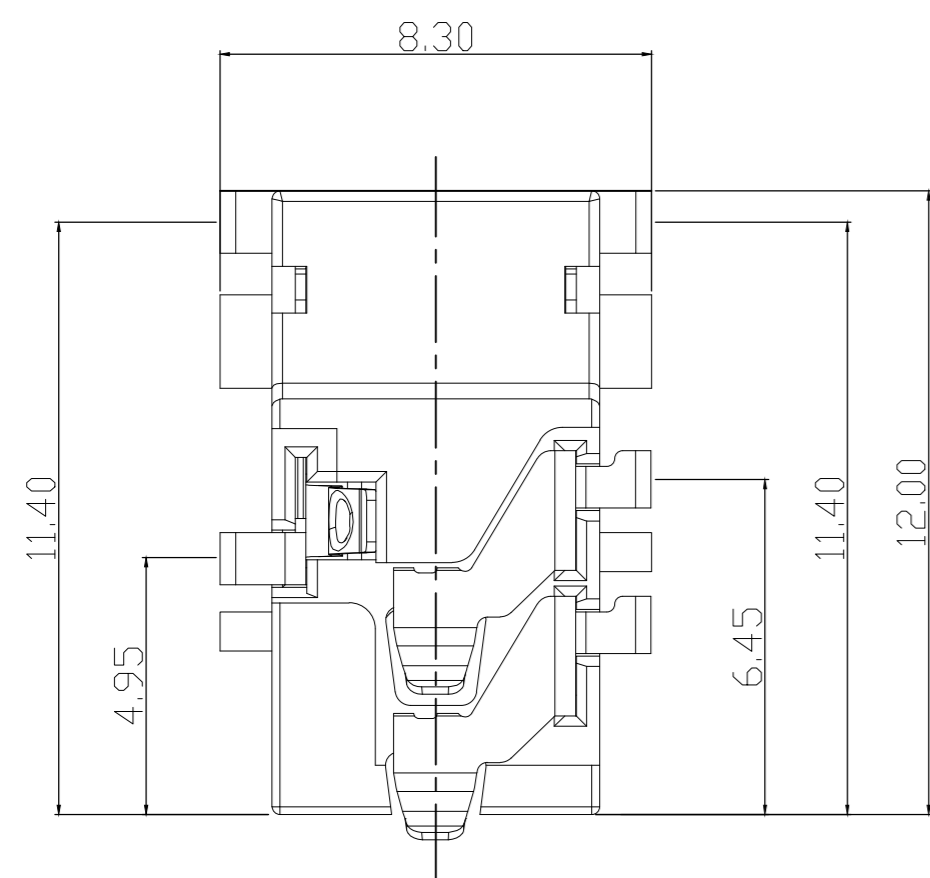
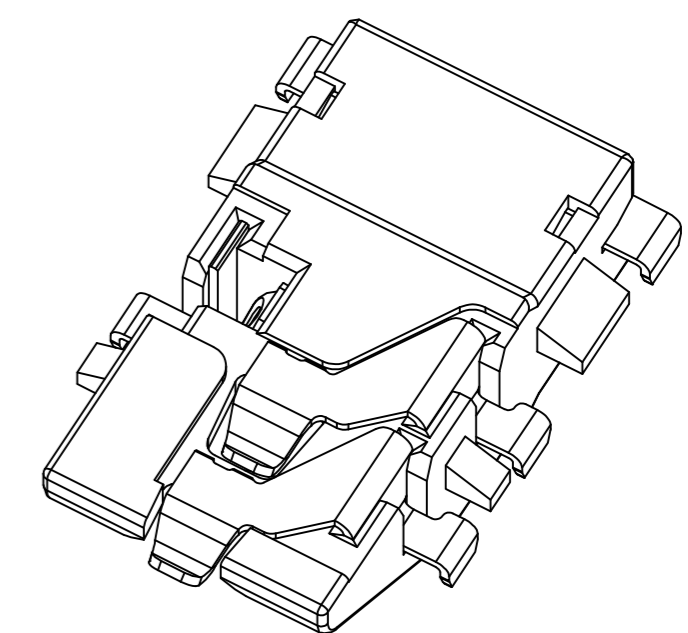
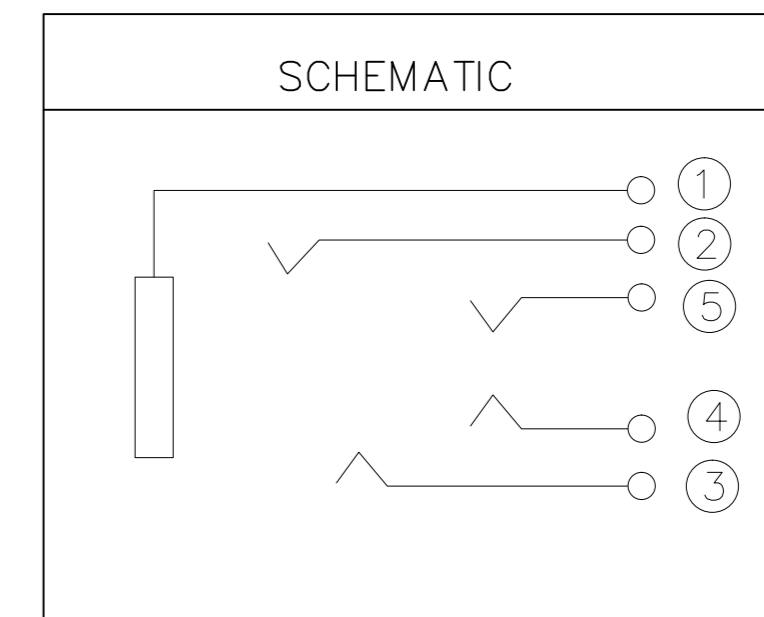
2.1 CONTACTS PLATING: SEE ORDERING INFORMATION

3. RATING

3.1 OPERATING VOLTAGE: 30VAC/DC.

.2 CURRENT RATING: 0.5A AC/DC.

.3 OPERATING TEMPERATURE: -25°C~+85°C



RECOMMEND PCB LAYOUT
TOLERANCE ± 0.05

LINEAR	ANGLE	NAME(INTENDED USE) PHONE JACK	东莞市全晟通精密制造有限公司 DONGGUAN QUAN SHENG TONG PRECISION MANUFACTURING CO.LTD			
.X ± 0.38		PART NO.(INTENDED USE) PJ06-8142327				
.XX ± 0.25		APPD:	DWG NO.:			
		CHKD:	UNITS mm SCALE N/A SHEET 1/1 REV. A0			
GENERAL TOLERANCE UNLESS OTHERWISE NOTED		DR:	3/9-16			