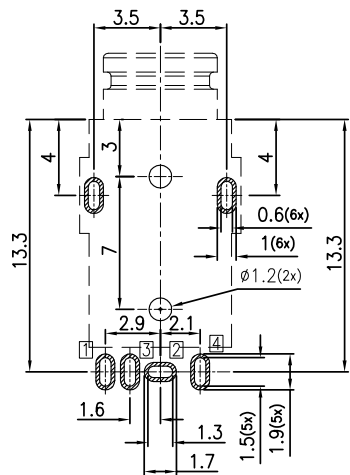
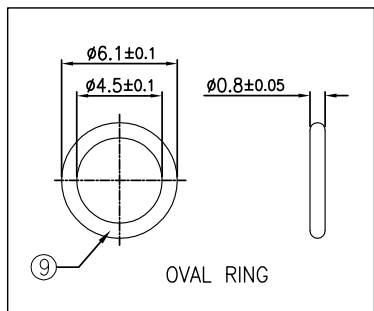
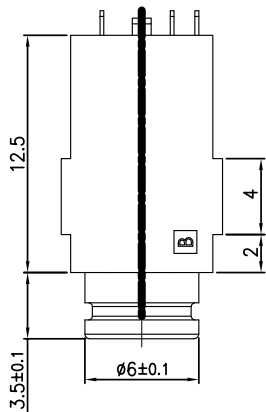
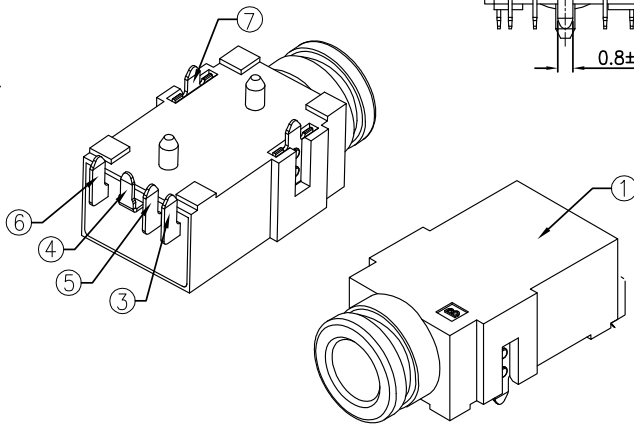
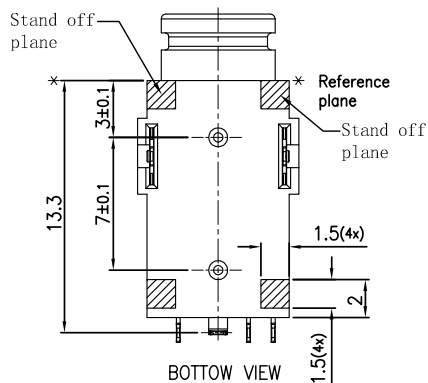
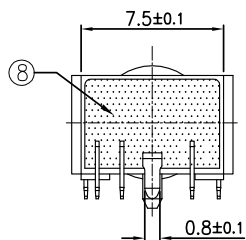
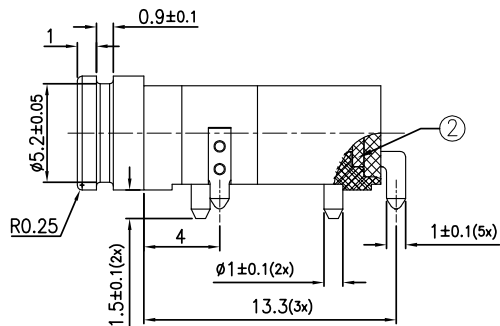
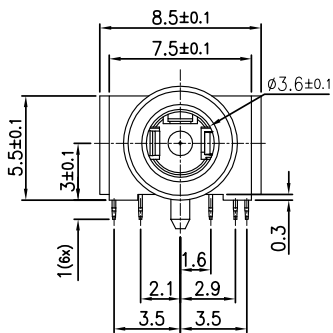
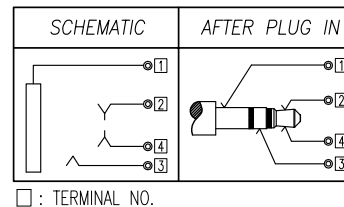


8	7	6	5	4	3	2	1
ECN NO.	REV	DATE	DESCRIPTION		APP'D		
	A0	20120325	drawing release		kevin		



SPECIFICATIONS:
 1. RATING: 12V, 1A
 2. CONTACT RESISTANCE: 30mΩ OR LESS FOR INITIAL
 3. VOLTAGE PROOF: 500V AC FOR ONE MINUTE
 4. DURABILITY: 5,000 INSERTION/EXTRACTION CYCLES
 5. INSERTION FORCE: 3.0KG MAX
 6. WITHDRAWAL FORCE: 0.3KG MIN
 7. WATER PROOFNESS: THIS PRODUCT IS BASED ON IPX7(1m, 30min)
 8. USING PLUG: Ø3.5MM, 3-POLE STEREO
 9. OVAL RING
 9-1. Hardness of silicone rubber: 70°
 9-2. Horizontal flash 0.10mm max; Longitudinal flash 0.10mm max
 10. HOUSING WITH O-RING'S SEAL AREA BURRS IS 0.05mm MAX.
 11. FOR REFLOW SOLDERING LEAD-FREE PROCESS.
 12. PACKAGING: TAPE & REEL.

Recommended PCB Layout(T=1.2)
 Tolerance: ±0.05(TOP view)



9	OVAL RING	----	1	SILICONE	GREEN
8	BOND	----	1	EPOXY	----
7	TERMINAL	----	2	C2680R-H T=0.2	Matte Sn 80u" Min; Ni 40u" Min underplate
6	TIP SPRING-2	[4]	1	C5210R-EH T=0.2	
5	RING SPRING	[3]	1	C5210R-EH T=0.2	
4	TIP SPRING-1	[2]	1	C5210R-EH T=0.2	
3	EARTH SPRING	[1]	1	C5210R-EH T=0.2	
2	COVER	----	1	PA9T+33%GF(GN2330)	UL 94V-0
1	HOUSING	----	1	PA9T+33%GF(GN2330)	UL 94V-0
ITEM	PART NAME	TERMINAL	QTY	MATERIAL	REMARK

LINEAR	ANGLE	NAME(INTENDED USE) PHONE JACK
X.±	X.°±	PART NO.(INTENDED USE) PJ06-8142345
.X± 0.38	.X°±	APPD:
.XX± 0.25	.XX°±	CHKD:
.XXX±	.XXX°±	DR:
GENERAL TOLERANCE UNLESS OTHERWISE NOTED		3/9-16

东莞市全晟通精密制造有限公司
 DONGGUAN QUAN SHENG TONG PRECISION MANUFACTURING CO. LTD
 TITLE: CUSTOMER DRAWING
PJ06-8142345 防水
 DWG NO.:
 UNITS: mm SCALE: N/A SHEET: 1/1 REV: AO