

| ECN NO. | REV | DATE     | DESCRIPTION     | APP'D |
|---------|-----|----------|-----------------|-------|
|         | A0  | 20120325 | drawing release | kevin |
|         |     |          |                 |       |

NOTES:

1.MATERIAL:

1.1 HOUSING: UL94V-0,COLOR: BLACK

1.2 CONTACT: SUS ALLOY

2.PLATING:

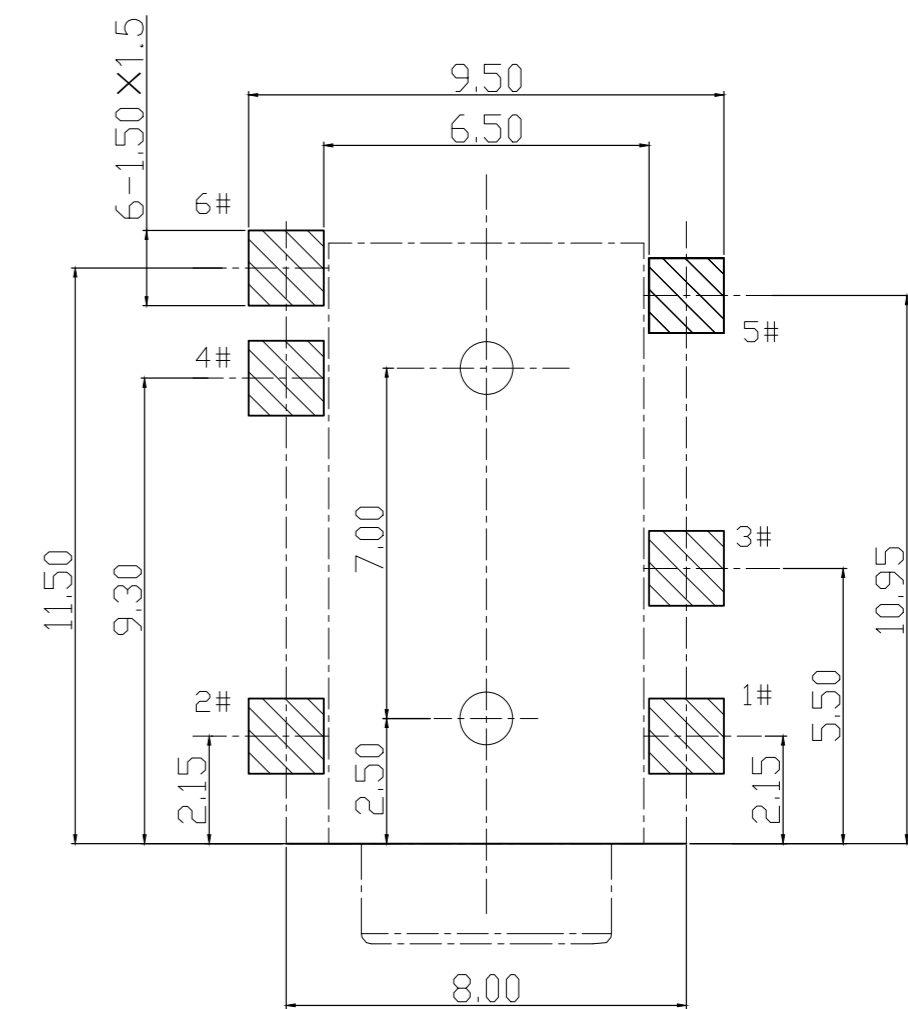
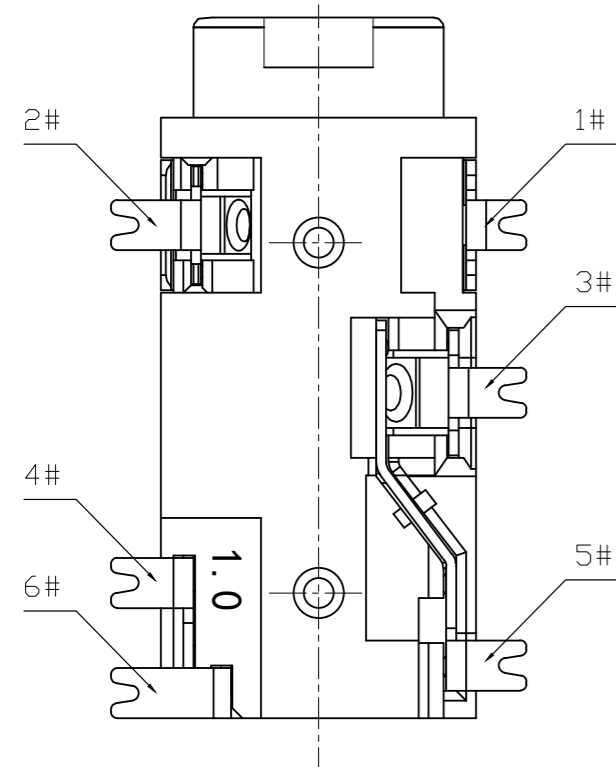
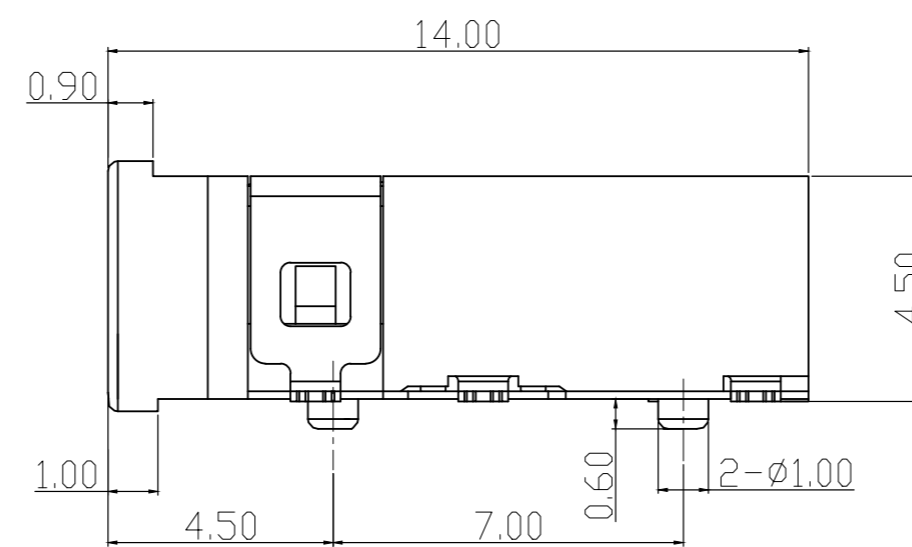
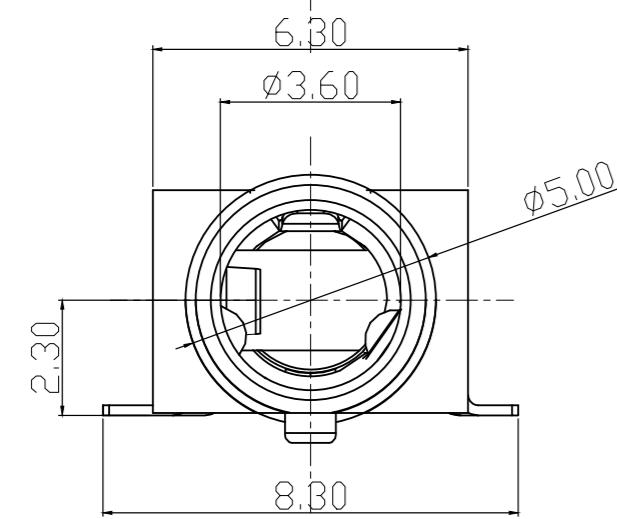
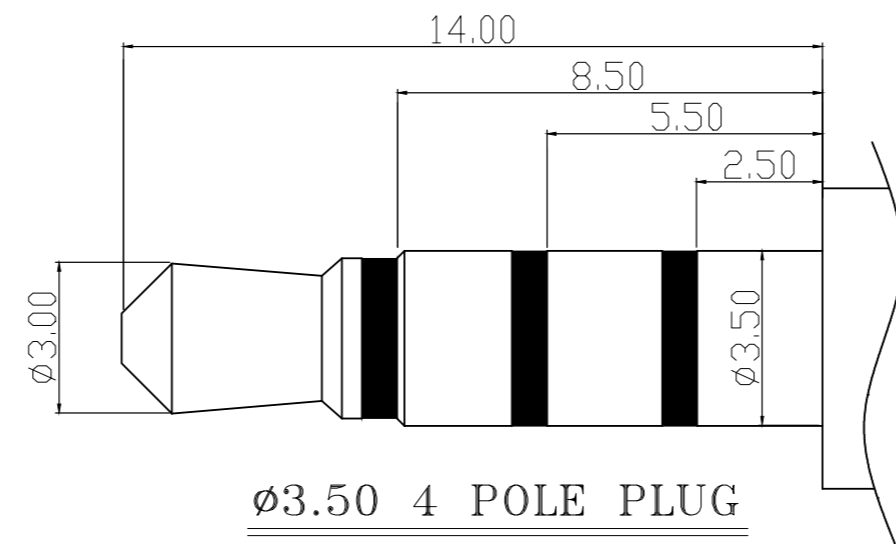
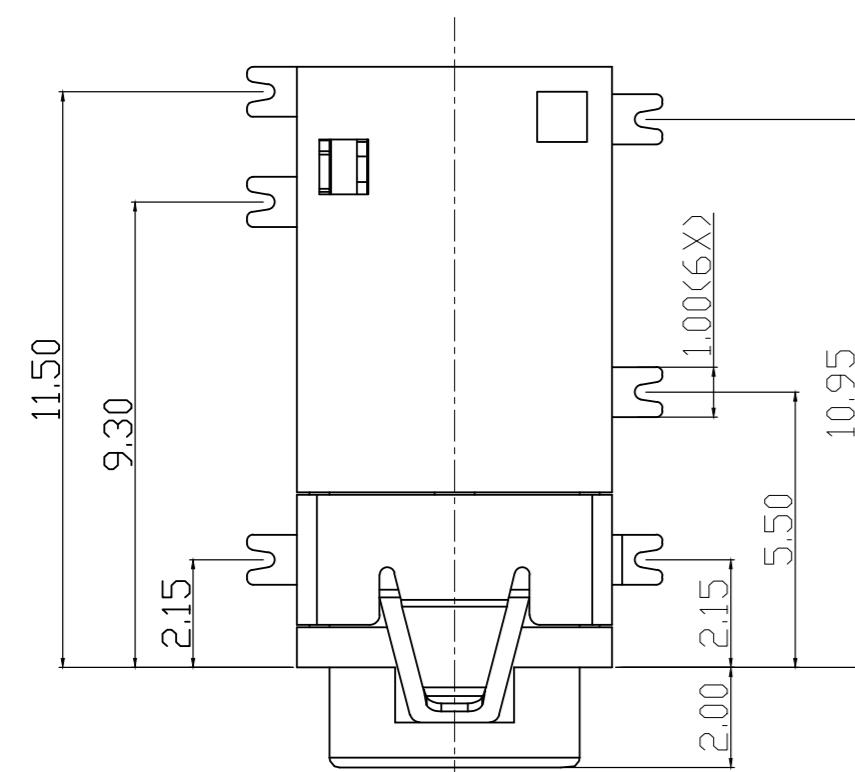
2.1 CONTACTS PLATING: SEE ORDERING INFORMATION

3.RATING

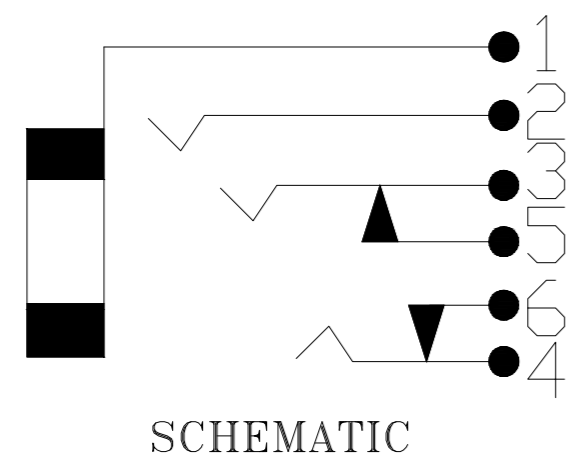
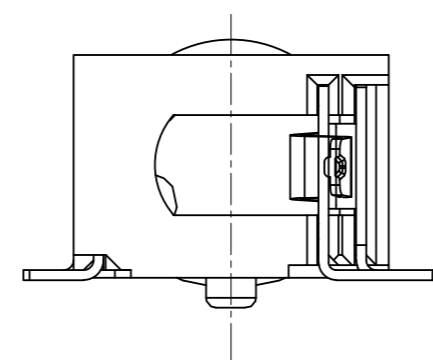
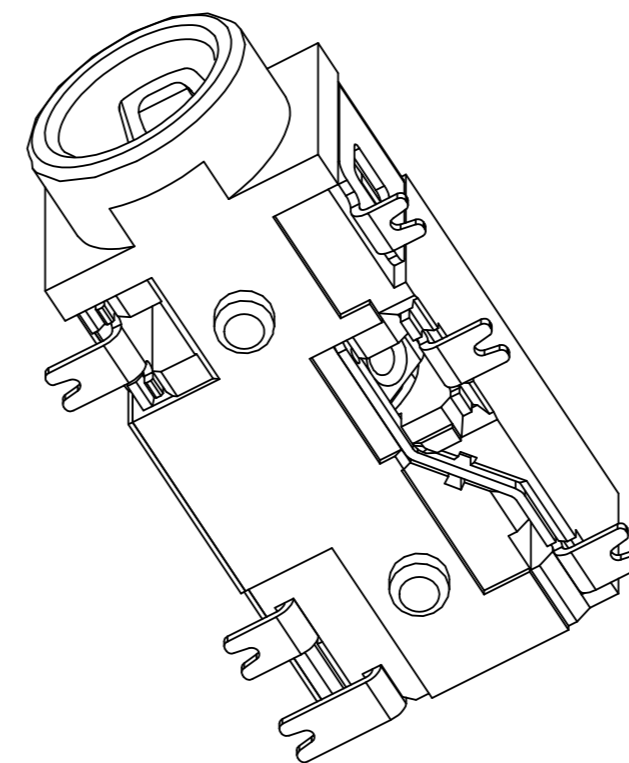
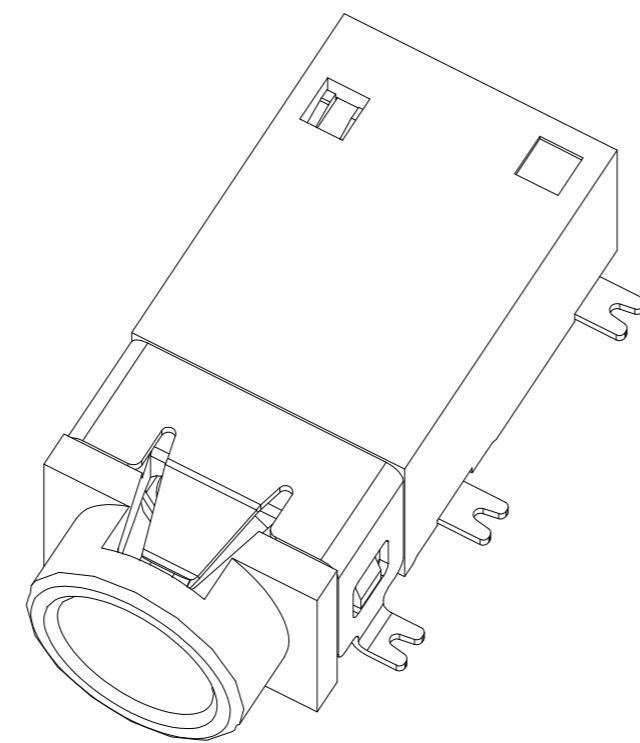
3.1 OPERATING VOLTAGE: 30VAC/DC.

3.2 CURRENT RATING: 0.5A AC/DC.

3.3 OPERATING TEMPERATURE: -25°C~+85°C



RECOMMEND PCB LAYOUT  
TOLERANCE  $\pm 0.05$



|                                             |            |                                        |                                                                            |  |  |  |
|---------------------------------------------|------------|----------------------------------------|----------------------------------------------------------------------------|--|--|--|
| LINEAR                                      | ANGLE      | NAME(INTENDED USE)<br>PHONE JACK       | 东莞市全晟通精密制造有限公司<br>DONGGUAN QUAN SHENG TONG PRECISION MANUFACTURING CO. LID |  |  |  |
| .X                                          | $\pm 0.38$ | PART NO.(INTENDED USE)<br>PJ06-8142357 |                                                                            |  |  |  |
| .XX                                         | $\pm 0.25$ | APPD:                                  | DWG NO.:                                                                   |  |  |  |
| GENERAL TOLERANCE<br>UNLESS OTHERWISE NOTED |            | CHKD:                                  | UNITS mm SCALE N/A SHEET 1/1 REV. A0                                       |  |  |  |
|                                             |            | DR:                                    | 3/9-16                                                                     |  |  |  |