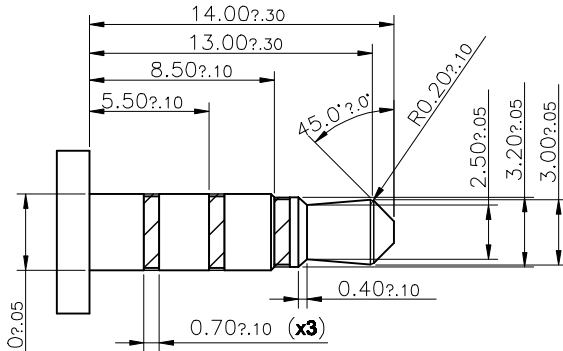
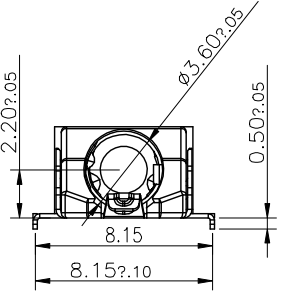
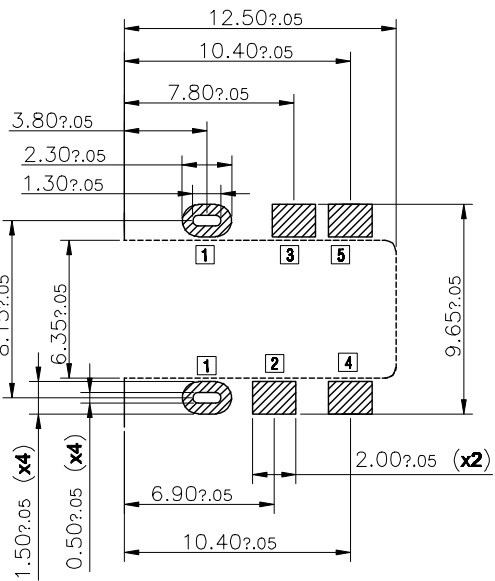
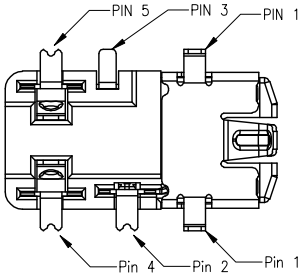
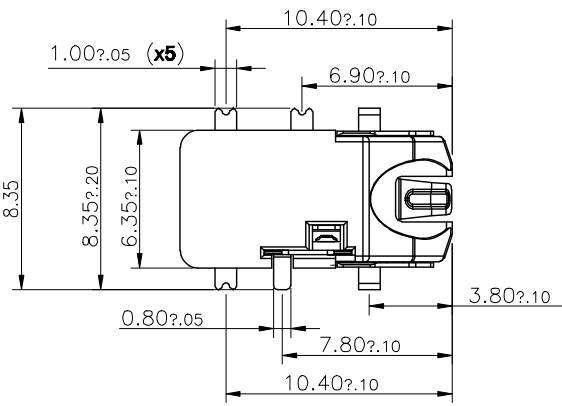
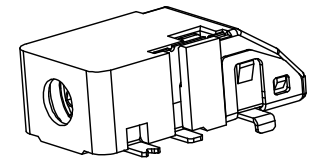
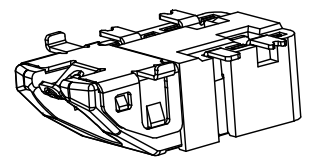


ECN NO.	REV	DATE	DESCRIPTION	APP'D
	A0	20120325	drawing release	kevin

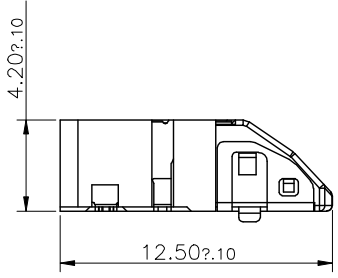
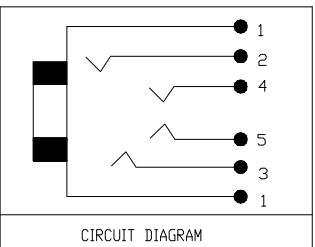
- NOTES :
- 1.0) RATING :
 - 1.1. VOLTAGE : 12 VDC (R.M.S.)
 - 1.2. CURRENT : 1 AMPERE MAXIMUM PER CONTACT AT 30° T-RISE
 - 1.3. TEMPERATURE : -25° TO +85°
 - 2.0) ELECTRICAL CHARACTERISTIC
 - 2.1. CONTACT RESISTANCE : INITIAL 50mΩ MAX. AFTER 100m
 - 2.2. INSULATION RESISTANCE : 100 MΩ MIN.
 - 2.3. DIELECTRIC WITHSTANDING VOLTAGE : 500 VAC AT SEA LEVEL
 - 3.0) MECHANICAL :
 - 3.1. DURABILITY ,MINIMUM: MATED 5000 CYCLES WITHOUT DEGRADING ELECTRICAL
 - 3.2. INITIAL:MATING FORCE: 300g~2000g.UNMATING FORCE: 300g~2000g
 - 3.3. AFTER LIFE TESTING:MATING FORCE: 300g~2000g.UNMATING FORCE: 300g~2000g



THE RECOMMENDED MATING AUDIO PLUG
3.5mm 4 POLE PLUG



RF COMMEND PAD LAYOUT



LINEAR	ANGLE	NAME (INTENDED USE) PHONE JACK	东莞市全晟通精密制造有限公司 DONGGUAN QUAN SHENG TONG PRECISION MANUFACTURING CO. LTD			
X ±0.30	X ±2.0°	PART NO. (INTENDED USE) PJ06-8142364	TITLE: CUSTOMER DRAWING PJ06-8142364			
.X ±0.20	.X ±1.0°	APPD:	DWG NO.:			
.XX ±0.10	.XX ±0.5°	CHKD:	UNITS: mm SCALE: N/A SHEET: 1/1 REV: AO			
.XXX ±0.05		DR:	3/9-16			
GENERAL TOLERANCE UNLESS OTHERWISE NOTED						