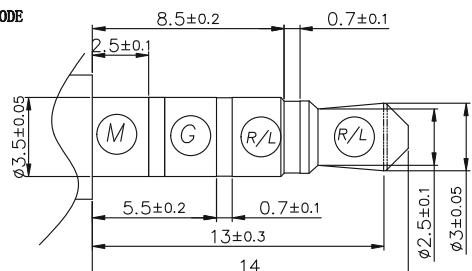
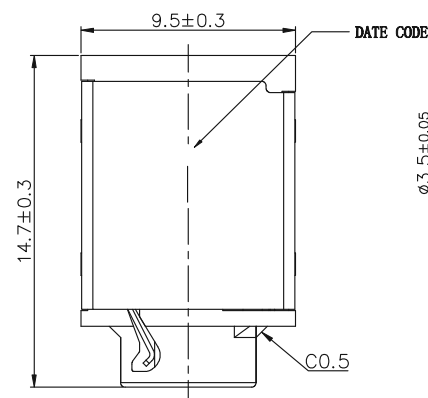
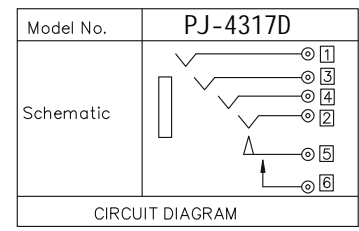


8	7	6	5	4	3	2	1
ECN NO.			REV		DATE	DESCRIPTION	APP'D
			A0		20120325	drawing release	kevin

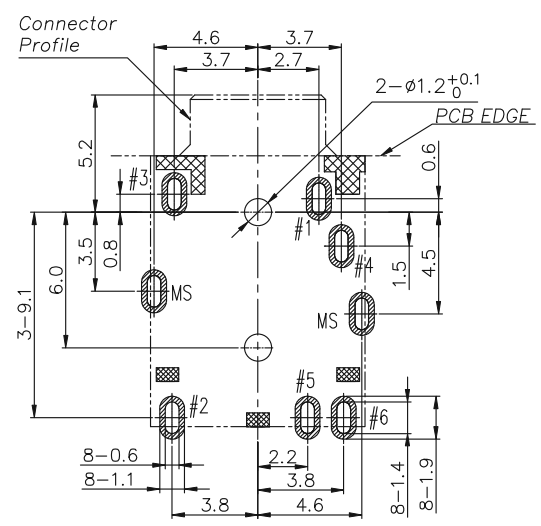
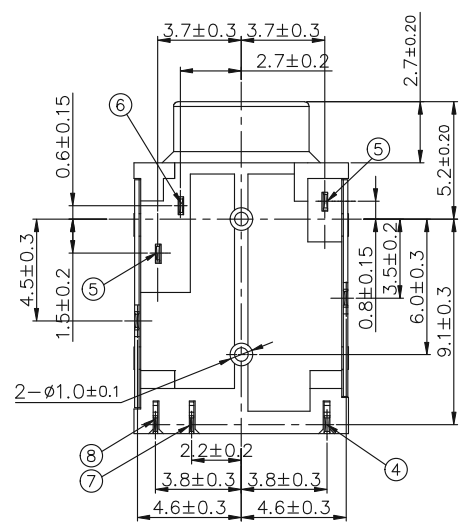
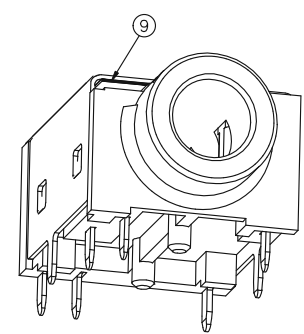
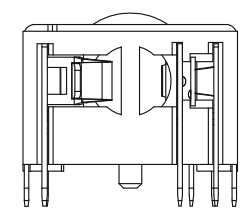
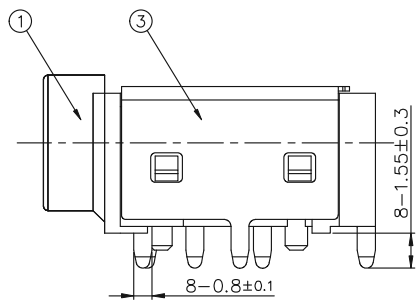
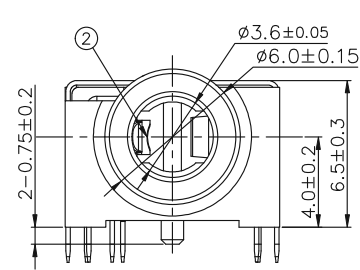


RECOMMENDED PLUG
 Ø3.5 4-POLE STANDARD PLUG



□ : TERMINAL NO.

Specification:
 1. Rating : DC 30V 0.5A;
 2. Contact resistance: ≤50mΩ;
 After test: ≤100mΩ
 3. Insulation resistance: ≥100MΩ (500VDC);
 After test: ≥50MΩ
 4. Withstand voltage: 500VAC ;
 5. Insertion and extraction force: 3N~30N;
 6. life test: 5000cycles ;
 7. Operation temperature range:-20℃~70℃
 8. Preservative temperature range:-40℃~85℃



STAND OFF AREA(PLASTIC)
 RECOMMENDED P.C.B. LAYOUT
 UNSPECIFIED TOLERANCE: ±0.05 (TOP VIEW)

⑨ Mylar 1	1			
⑧ Make spring	6	1	Copper Alloy 20u"Ag,50u" Ni Plating	
⑦ Transfer spring	5	1	Copper Alloy	
⑥ Earth spring	1	1	Copper Alloy	
⑤ Ring spring	3	4	2 Copper Alloy See "Ordering info"	
④ Tip spring	2	1	Copper Alloy	
③ Shell	1	1	Copper Alloy Ni Plating	
② Separate	1	1	High-Temp Thermoplastic (Halogen Free) BLACK	
① Housing	1	1	High-Temp Thermoplastic (Halogen Free) BLACK	
NO.	DESCRIPTION	Q' TY	MATERIAL	REMARK

LINEAR	ANGLE	NAME(INTENDED USE) PHONE JACK		东莞市全晟通精密制造有限公司 DONGGUAN QUAN SHENG TONG PRECISION MANUFACTURING CO. LTD			
X.X ±0.30	X.X ±5	PART NO.(INTENDED USE) PJ06-8142417					
X.XX ±0.20	X.XX ±2	APPD:		DWG NO.:			
X.XXX ±0.10	X.XXX ±1	CHKD:		UNITS: mm SCALE: N/A SHEET: 1/1 REV: AO			
GENERAL TOLERANCE UNLESS OTHERWISE NOTED		DR:		3/9-16			