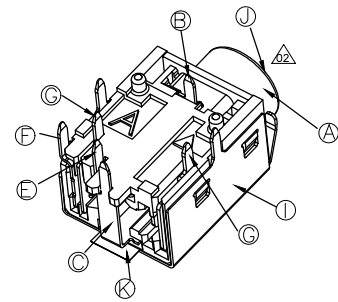
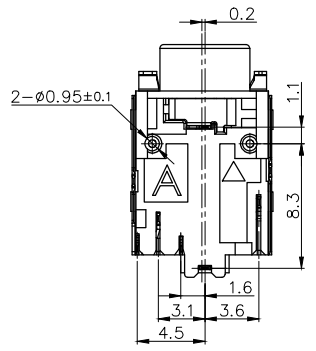
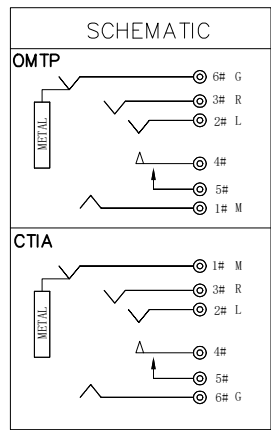
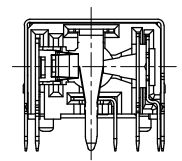
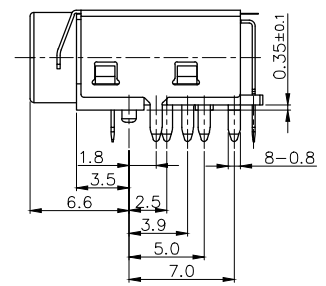
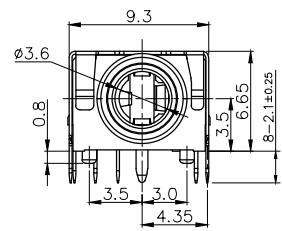
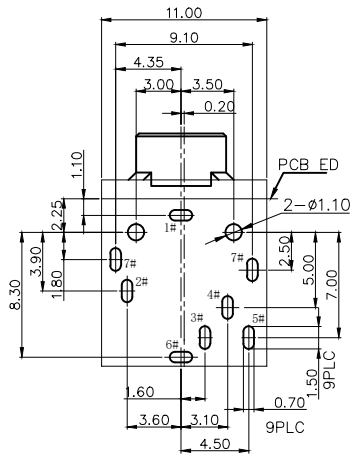
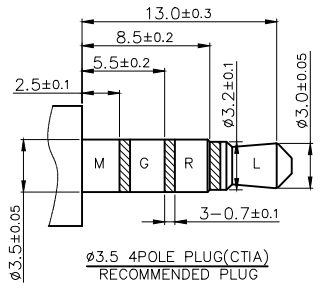
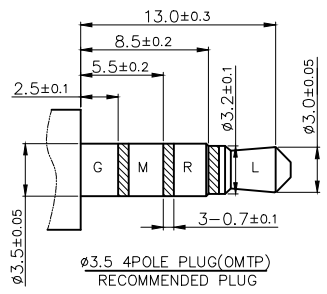
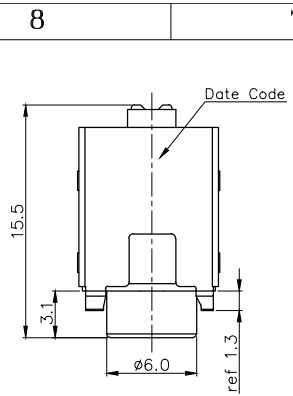


ECN NO.	REV	DATE	DESCRIPTION	APP'D
	A0	20120325	drawing release	kevin

- Specification:
- Rating : DC 12V 1A.
  - Contact resistance:  $\leq 50m\Omega$  (INITIAL)
  - Insulation resistance:  $\geq 100M\Omega$  (500VDC).  
After life test:  $\geq 50M\Omega$ .
  - Withstand voltage: 500VAC.
  - Insertion and extraction force: 3N~30N.
  - life test: 5000cycles min.
  - Operation temperature range:  $-20^{\circ}C \sim 70^{\circ}C$ .
  - Preservative temperature range:  $-40^{\circ}C \sim 85^{\circ}C$ .
  - The furnace temperature  $260 \pm 5^{\circ}C$  , 10 second



NO.	DESCRIPTION	QTY	MATERIAL	REMARK
(K)	Mylar	1		
(J)	Metal	1	H59	Ni 60u"
(I)	Shielding	1	SUS301-1/2H t=0.2	Ni 60u"
(H)	Separator	1	PA9T UL94-HB	BLACK;HF
(G)	Transfer	1	C5210R-EH t=0.20	GOLD FLASH ON CONTACT AREA AND SLD TAIL, NI 50U" MIN OVER ALL
(F)	Make terminal	1	C5210R-EH t=0.20	NI 50U" MIN OVER ALL
(E)	Ring B	1	C5210R-EH t=0.20	GOLD FLASH ON CONTACT AREA, 80U" MATTE TIN ON SLD TAIL, NI 50U" MIN OVER ALL
(D)	Tip spring	1	C5210R-EH t=0.25	GOLD FLASH ON CONTACT AREA, 80U" MATTE TIN ON SLD TAIL, NI 50U" MIN OVER ALL
(C)	Earth-A	1	C5210R-EH t=0.20	NI 50U" MIN OVER ALL
(B)	Ring A	1	C5210R-EH t=0.20	BLACK;HF
(A)	Housing	1	PA10T +30%GF(630NH)	BLACK;HF

LINEAR	ANGLE	NAME (INTENDED USE)	DONGGUAN QUAN SHENG TONG PRECISION MANUFACTURING CO. LTD			
.X ±0.30	X ±5°	PHONE JACK	TITLE: CUSTOMER DRAWING			
.XX ±0.20	.X ±3°	PART NO. (INTENDED USE)	PJ06-8142426			
.XXX ±0.10	.XX ±2°	APPD:	DWG NO.:			
		CHKD:	UNITS: mm SCALE: N/A SHEET: 1/1 REV: AO			
GENERAL TOLERANCE UNLESS OTHERWISE NOTED		DR:	3/9-16			

东莞市全晟通精密制造有限公司  
DONGGUAN QUAN SHENG TONG PRECISION MANUFACTURING CO. LTD

