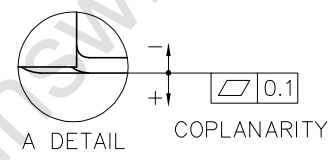
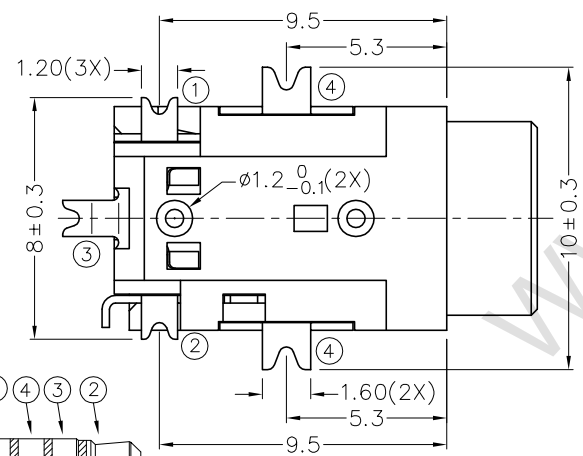
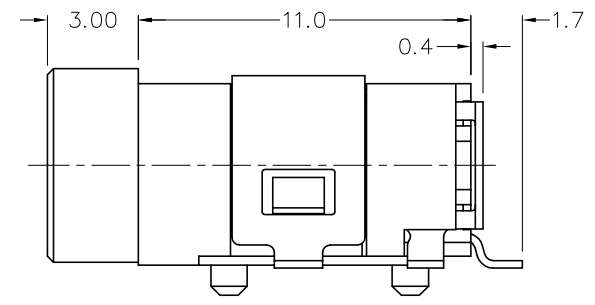
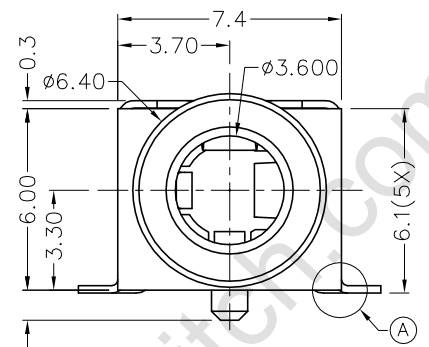
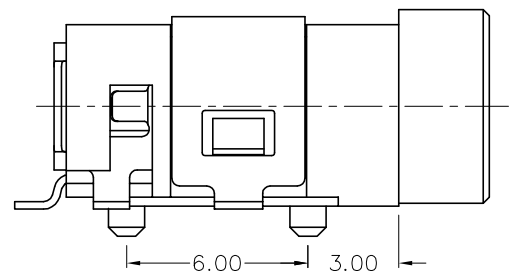
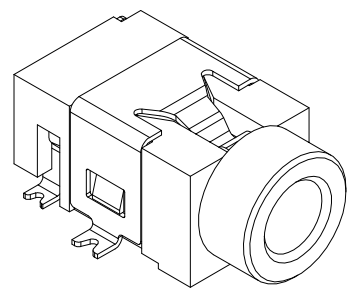
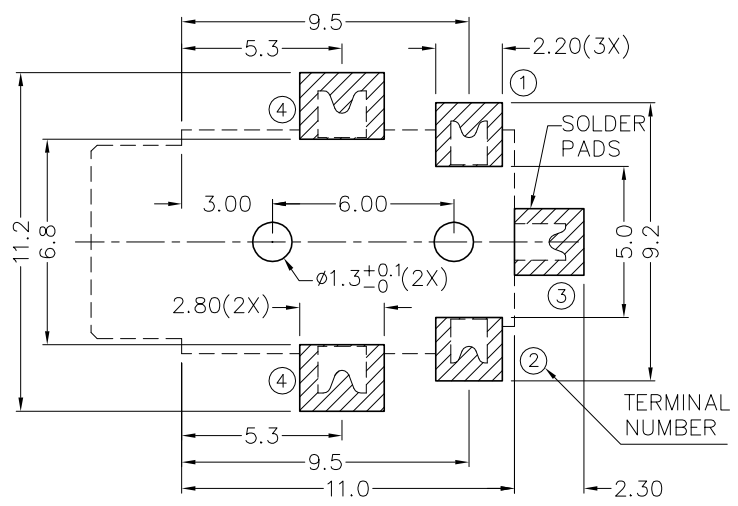
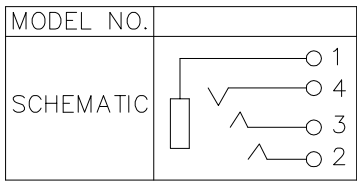


3		2		1	
ECN NO.	REV	DATE	DESCRIPTION	APP'D	
	A0	20120325	drawing release	kevin	

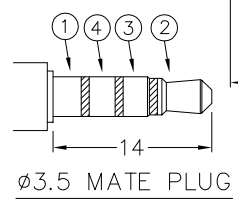


**\* MATERIAL**

- TERMINAL 1 : COPPER ALLOY
- TERMINAL 2 : COPPER ALLOY
- TERMINAL 3 : COPPER ALLOY
- TERMINAL 4 : COPPER ALLOY
- HOUSING : PA6T



RECOMMENDED SOLDER PAD LAYOUT



LINEAR	ANGLE	NAME (INTENDED USE) PHONE JACK
X.X ±0.2		PART NO. (INTENDED USE) <b>PJ06-8142494</b>
X.XX ±0.1		APPD:
X.XXX ±0.05		CHKD:
GENERAL TOLERANCE UNLESS OTHERWISE NOTED		DR: 3/9-16

东莞市全晟通精密制造有限公司  
DONGGUAN QUAN SHENG TONG PRECISION MANUFACTURING CO. LTD

TITLE: CUSTOMER DRAWING  
**PJ06-8142494**

DWG NO.:

UNITS	SCALE	SHEET	REV.
mm	N/A	1/1	AO