

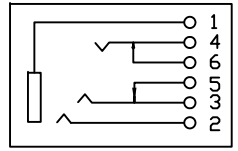
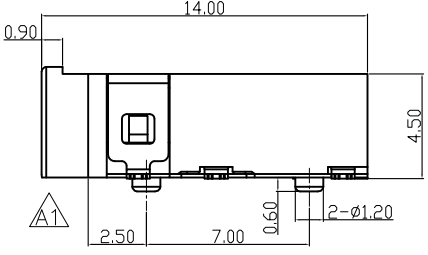
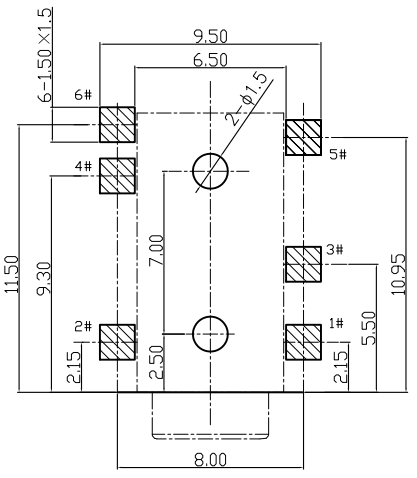
ECN NO.	REV	DATE	DESCRIPTION	APP'D
	A0	20120325	drawing release	kevin

- NOTES:
- CONTACT CURRENT RATING: 1A.
  - CONTACT RESISTANCE: 50 m MAX.;
  - INSULATION RESISTANCE: 1000 MIN.;
  - DIELECTRIC WITHSTANDING: 500V AC MIN.;
  - DURABILITY: 5,000 CYCLES MIN.;
  - CONNECTOR MATING FORCES: 29.4N (3.00Kgf) MAX.;
  - CONNECTOR UNMATING FORCES: 2.94N(0.30Kgf) MIN.;
  - PRODUCT MEET THE REQUEST OF THE RoHs, SEE TABLE A:

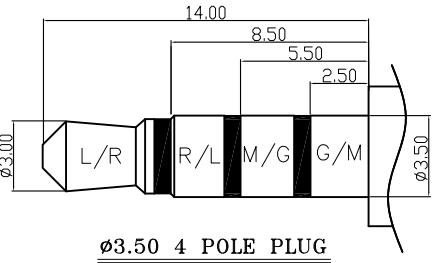
TABLE A:

MATTER	RoHs ( PPM )
Cd	≤ 100
Pb	≤ 1000
Hg	≤ 1000
Cr6+	≤ 1000
PBB	≤ 1000
PBDE	≤ 1000

**RECOMMEND PCB LAYOUT**  
TOLERANCE ±0.05



SCHMATIC



ITEM	PART NAME	Q'TY	DESCRIPTION	REMARK
⑦	HOUSING	1		Black
⑥	CONTACT F	1	Au-Plated	
⑤	CONTACT E	1	Au-Plated	
④	CONTACT D	1	Au-Plated	
③	CONTACT C	1	Au-Plated	
②	CONTACT B	1	Au-Plated	
①	CONTACT A	1	Au-Plated	

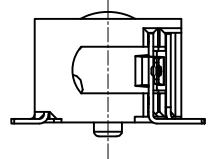
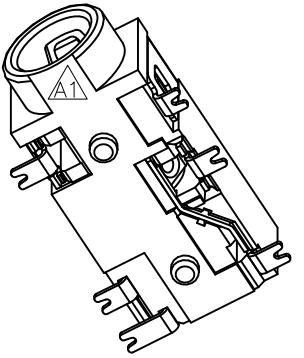
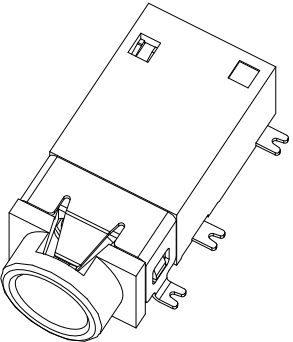
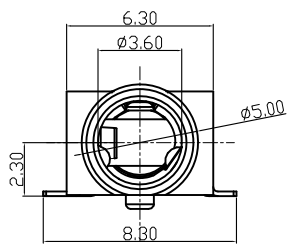
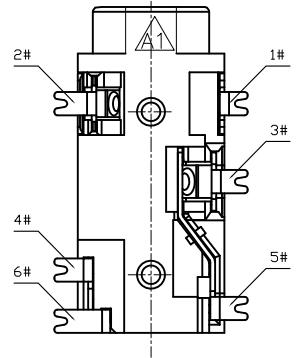
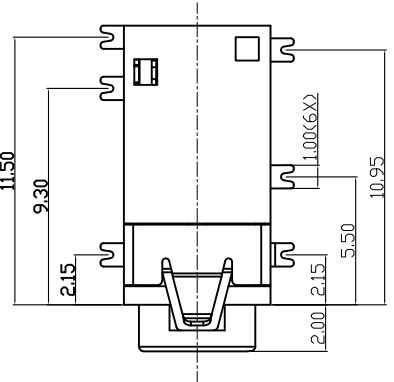
LINEAR	ANGLE	NAME (INTENDED USE)
X. ±0.25	X.xxx ±0.10	PHONE JACK
X.x ±0.20	ANGULAR ±3°	PART NO. (INTENDED USE)
X.xx ±0.15		<b>PJ06-8142526</b>
GENERAL TOLERANCE UNLESS OTHERWISE NOTED		APPD:
		CHKD:
		DR:

**东莞市全晟通精密制造有限公司**  
DONGGUAN QUAN SHENG TONG PRECISION MANUFACTURING CO. LTD

TITLE: CUSTOMER DRAWING  
**PJ06-8142526 全平**

DWG NO.:

UNITS	SCALE	SHEET	REV.
mm	N/A	1/1	AO



D

C

B

A

8

7

6

5

4

3

2

1

8

7

6

5

4

3

2

1