

3		2		1	
ECN NO.	REV	DATE	DESCRIPTION	APP'D	
	A0	20120325	drawing release	kevin	

NOTES:

1.MATERIAL:

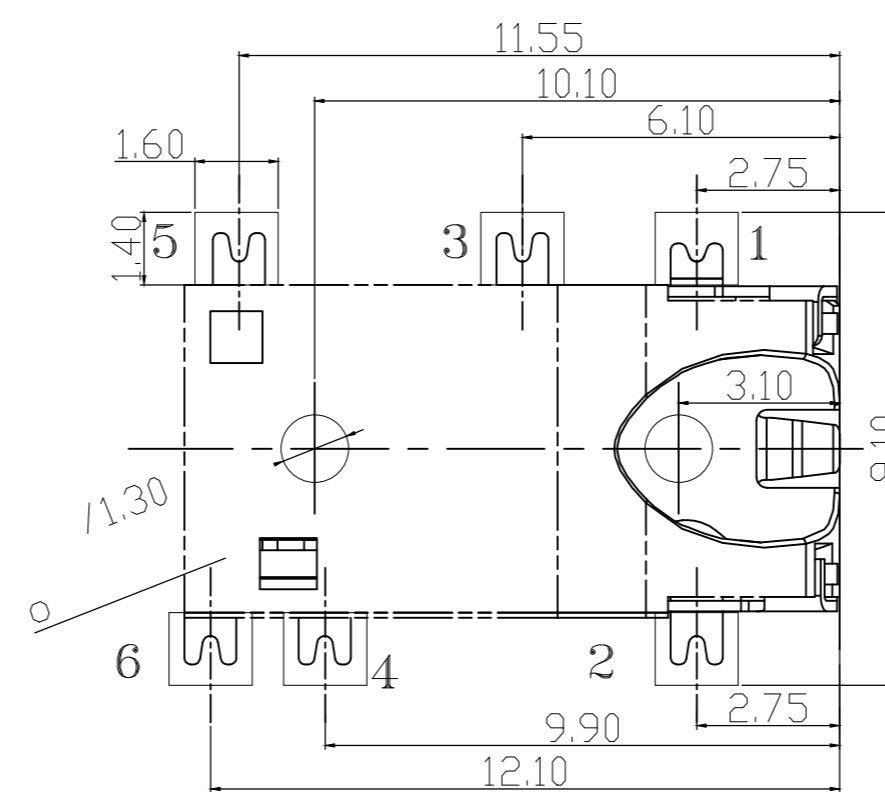
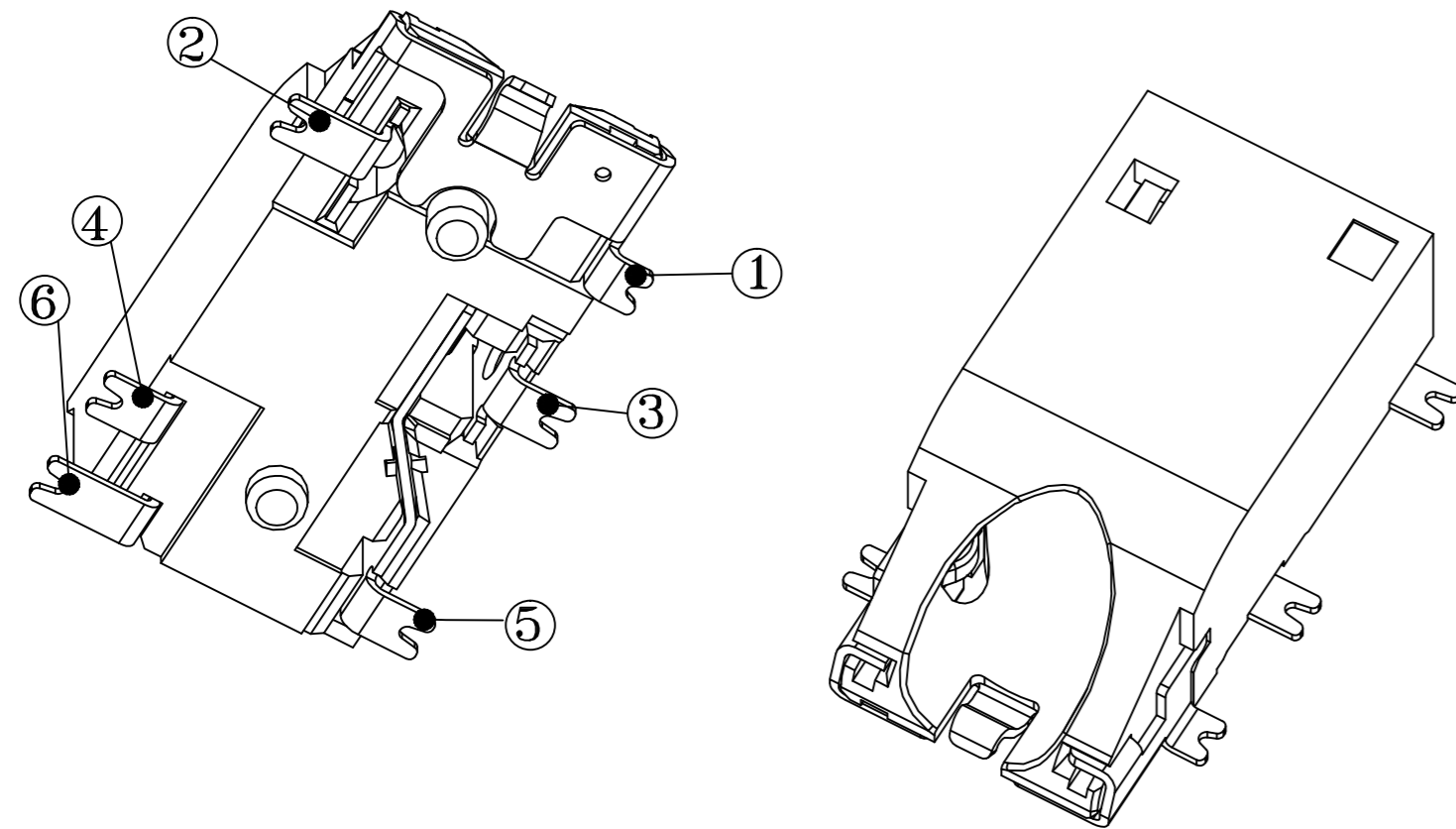
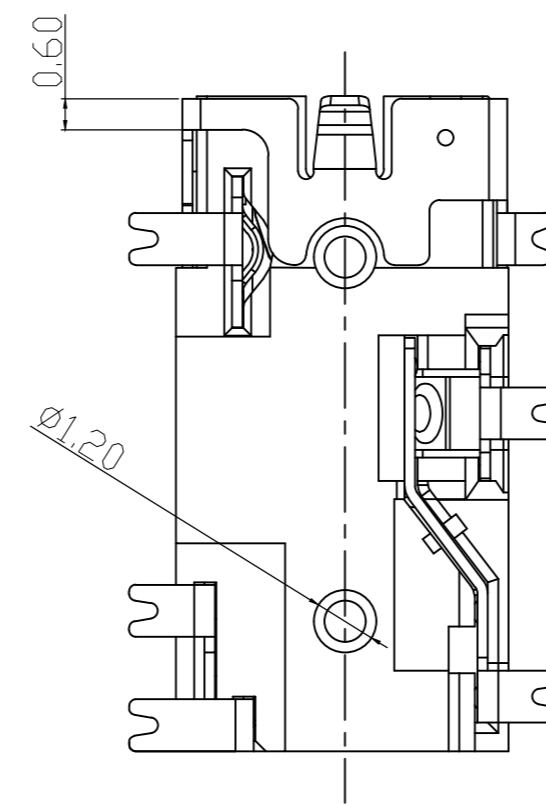
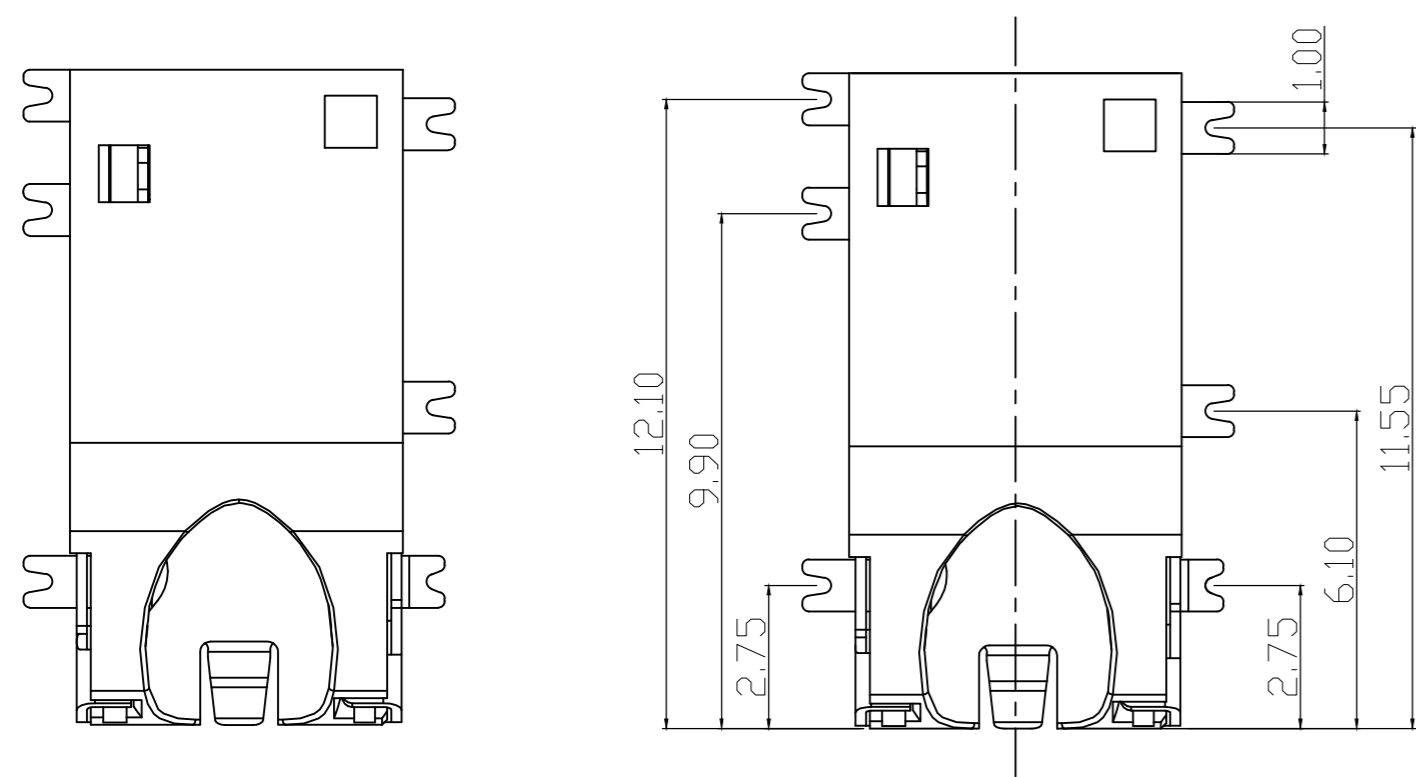
- 1.1 HOUSING: UL94V-0,COLOR: BLACK
- 1.2 CONTACT: SUS ALLOY

2.PLATING:

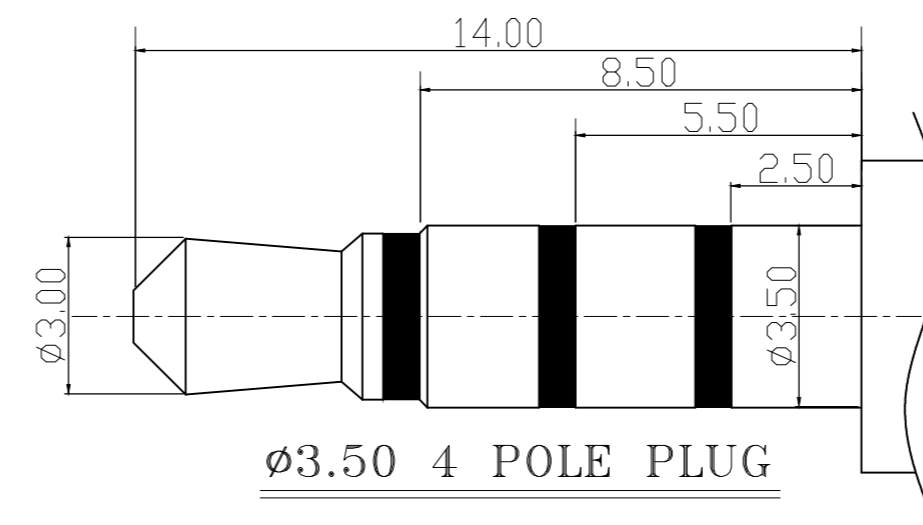
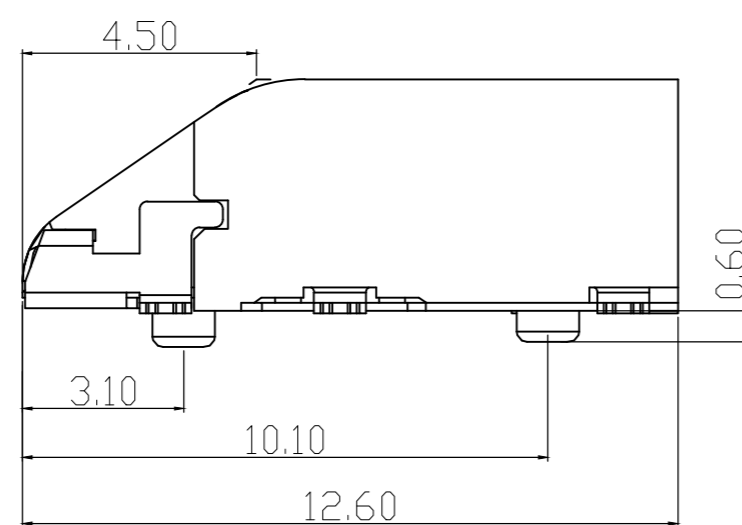
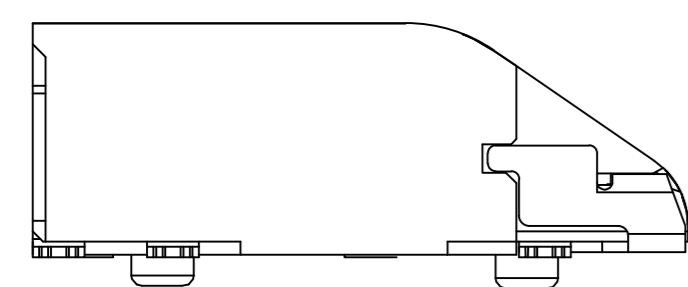
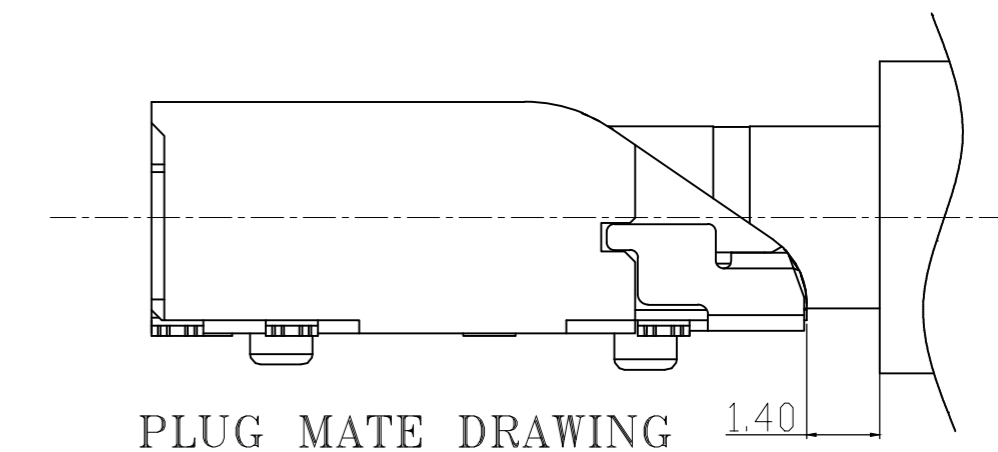
- 2.1 CONTACTS PLATING: SEE ORDERING INFORMATION

3. RATING

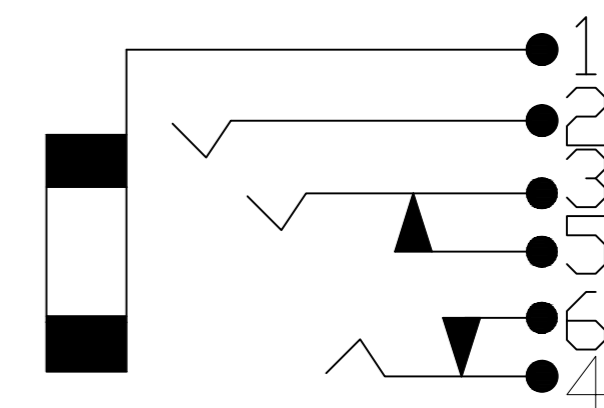
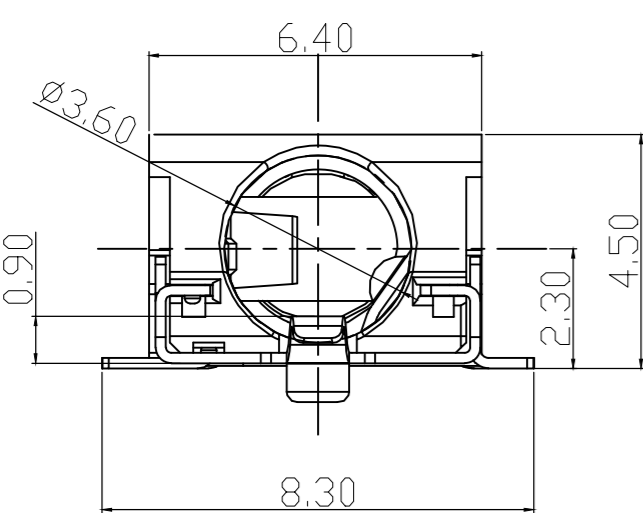
- 3.1 OPERATING VOLTAGE: 30VAC/DC.
- 3.2 CURRENT RATING: 0.5A AC/DC.
- 3.3 OPERATING TEMPERATURE: -25°C~+85°C



RECOMMEND PCB LAYOUT  
TOLERANCE ±0.05



3.50 4 POLE PLUG



SCHEMATIC

LINEAR	ANGLE	NAME(INTENDED USE) PHONE JACK	东莞市全晟通精密制造有限公司 DONGGUAN QUAN SHENG TONG PRECISION MANUFACTURING CO.,LTD			
.X ±0.38		PART NO.(INTENDED USE) PJ06-8142539				
.XX ±0.25		APPD:	DWG NO.:			
GENERAL TOLERANCE UNLESS OTHERWISE NOTED		CHKD:	UNITS mm SCALE N/A SHEET 1/1 REV. A0			
		DR:	3/9-16			