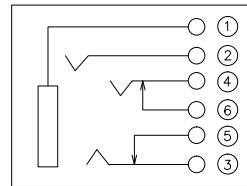


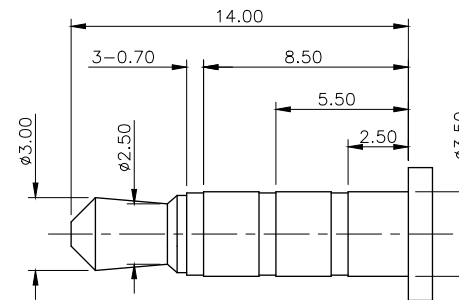
ECN NO.	REV	DATE	DESCRIPTION	APP'D
	A0	20120325	drawing release	kevin

NOTES:

- REQUEST OF THE SPECIFICATION:
  - CONTACT CURRENT RATING: 1A;
  - CONTACT RESISTANCE: 100 mΩ MAX.;
  - INSULATION RESISTANCE: 100MΩ MIN.;
  - DIELECTRIC WITHSTANDING: 500V AC MIN.;
  - DURABILITY: 5,000 CYCLES MIN.;
  - CONNECTOR MATING FORCES: 29.8N (3.00Kgf) MAX.;
  - CONNECTOR UNMATING FORCES: 2.98N(0.30Kgf) MIN.;



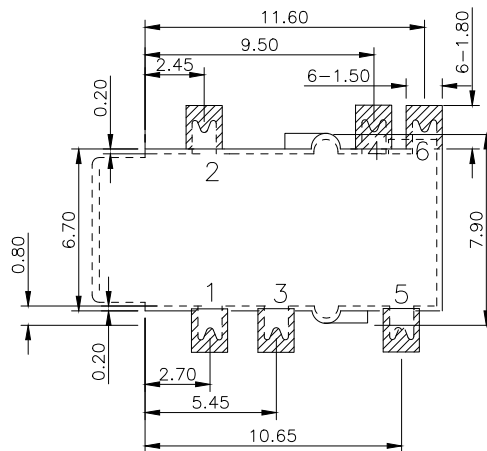
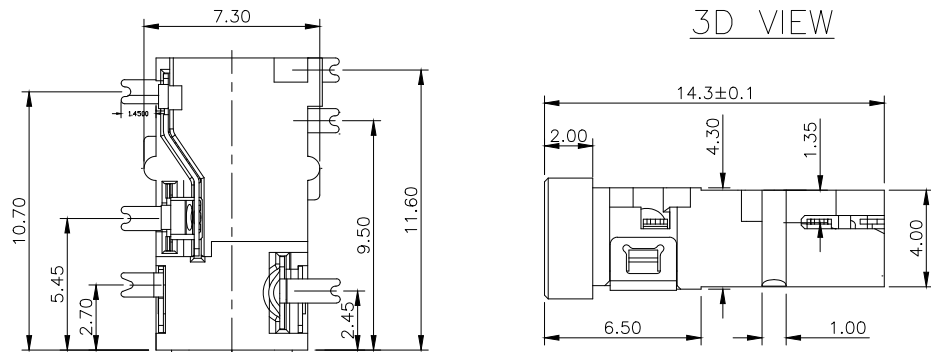
SCHMATIC



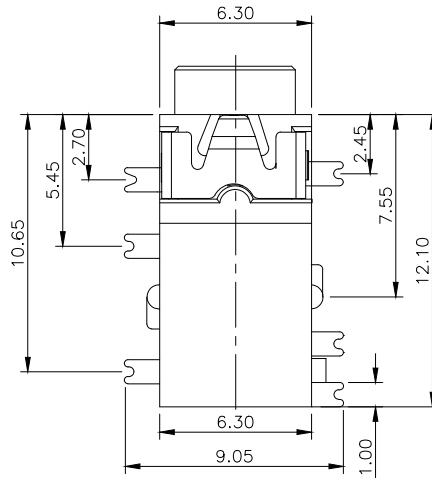
(ø3.50mm 4 POLE PLUG DETAIL DRAWING)

8	BUSHING	1	BRASS;NICKEL(40u"MIN.) PLATING OVERALL	
7	TERMINAL 6#	1	磷铜	T=0.20
6	TERMINAL 5#	1	磷铜	T=0.20
5	TERMINAL 4#	1	磷铜	T=0.20
4	TERMINAL 3#	1	镀青铜	T=0.20
3	TERMINAL 2#	1	镀青铜	T=0.20
2	TERMINAL 1#	1	磷铜	T=0.20
1	HOUSING	1	PPA COLOR BLACK	
ITEM	NAME	Q'TY	DESCRIPTION	NOTE

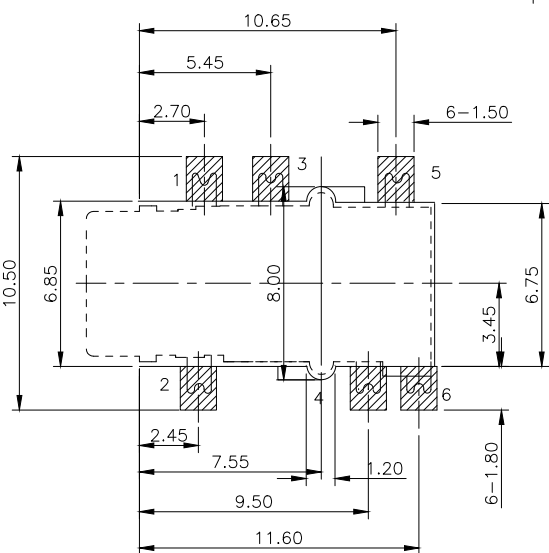
3D VIEW



正贴 P.C.B LAYOUT TOP VIEW



反贴 P.C.B LAYOUT TOP VIEW



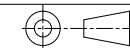
反贴

LINEAR	ANGLE	NAME(INTENDED USE) PHONE JACK
.X ±0.35	.X ±2°	PART NO.(INTENDED USE) <b>PJ06-8142542</b>
.X ±0.30	.X ±1°	APPD:
.XX ±0.20		CHKD:
.XXX ±0.10		DR:
GENERAL TOLERANCE UNLESS OTHERWISE NOTED		3/9-16

东莞市全晟通精密制造有限公司  
DONGGUAN QUAN SHENG TONG PRECISION MANUFACTURING CO.LTD

TITLE: CUSTOMER DRAWING  
**PJ06-8142542 铜头**

DWG NO.:



UNITS	SCALE	SHEET	REV.
mm	N/A	1/1	AO