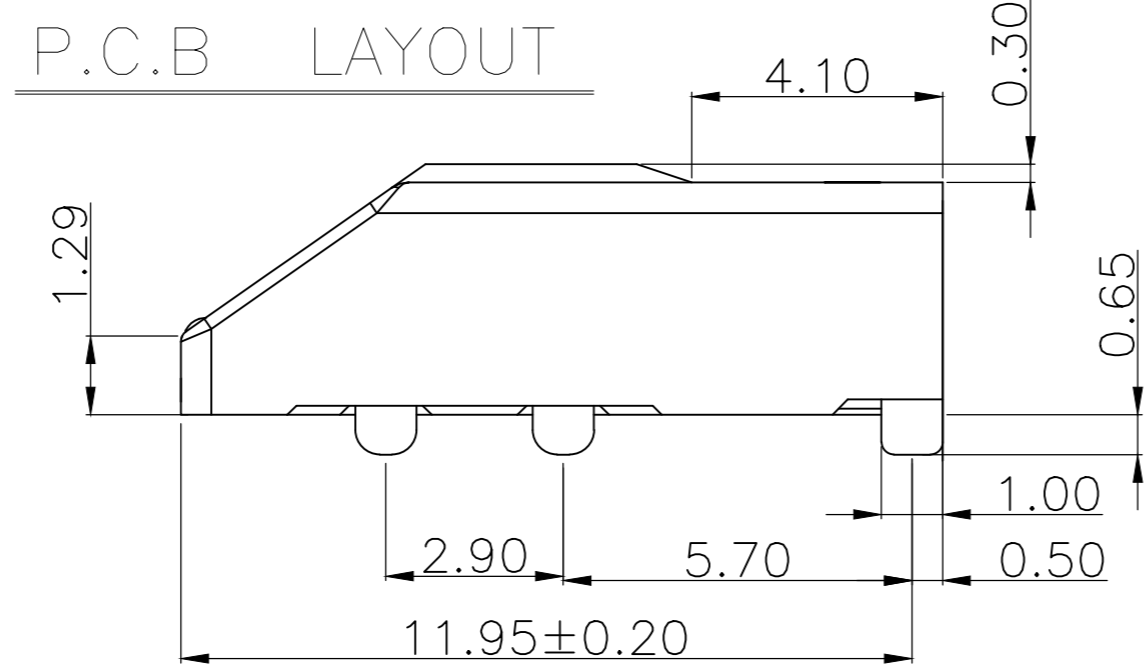
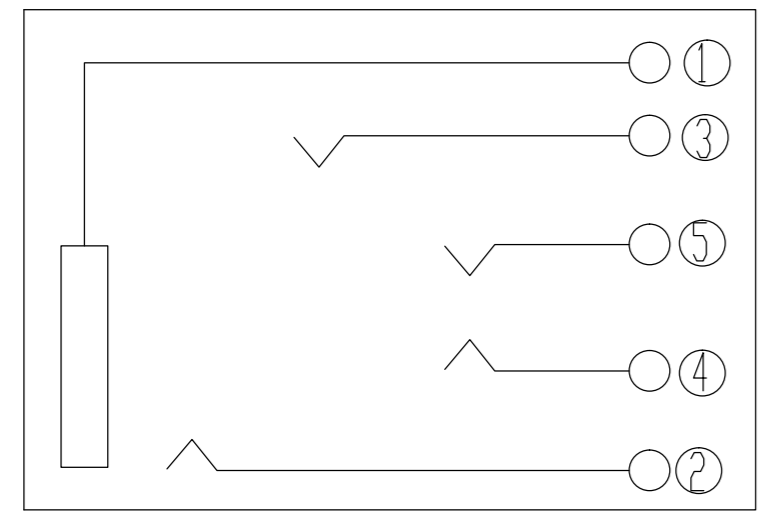
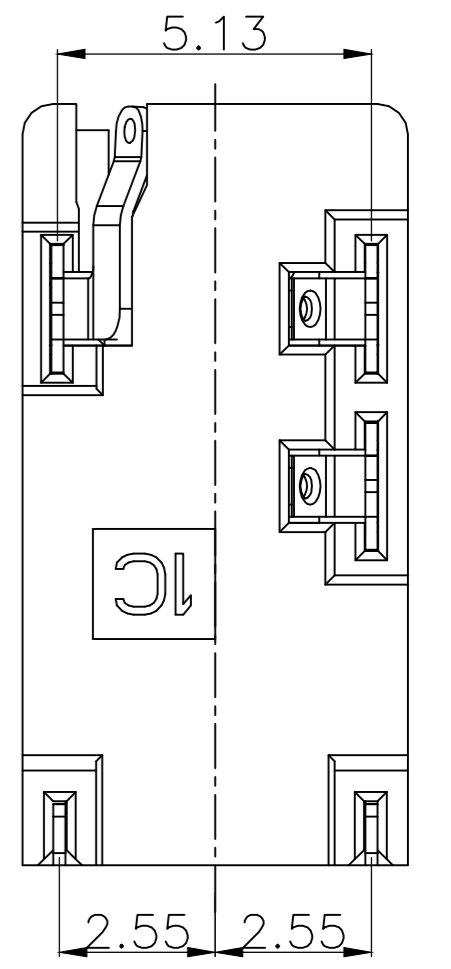
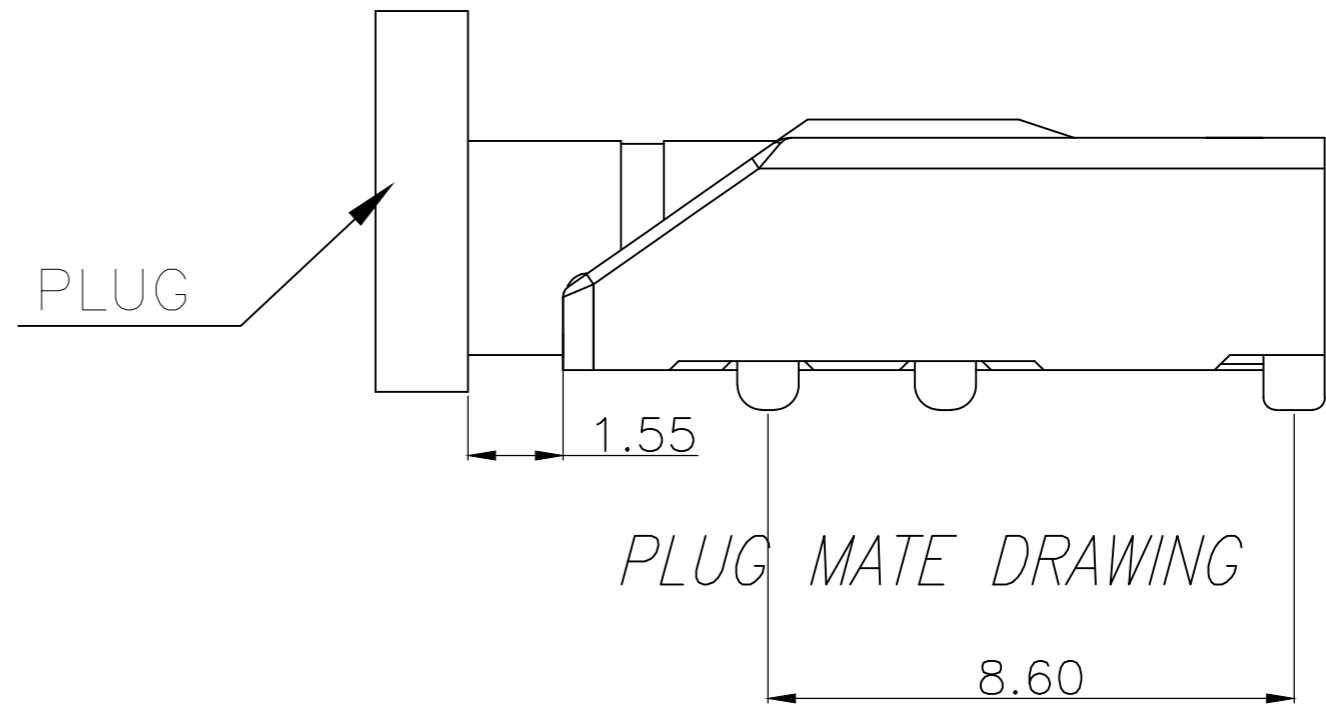
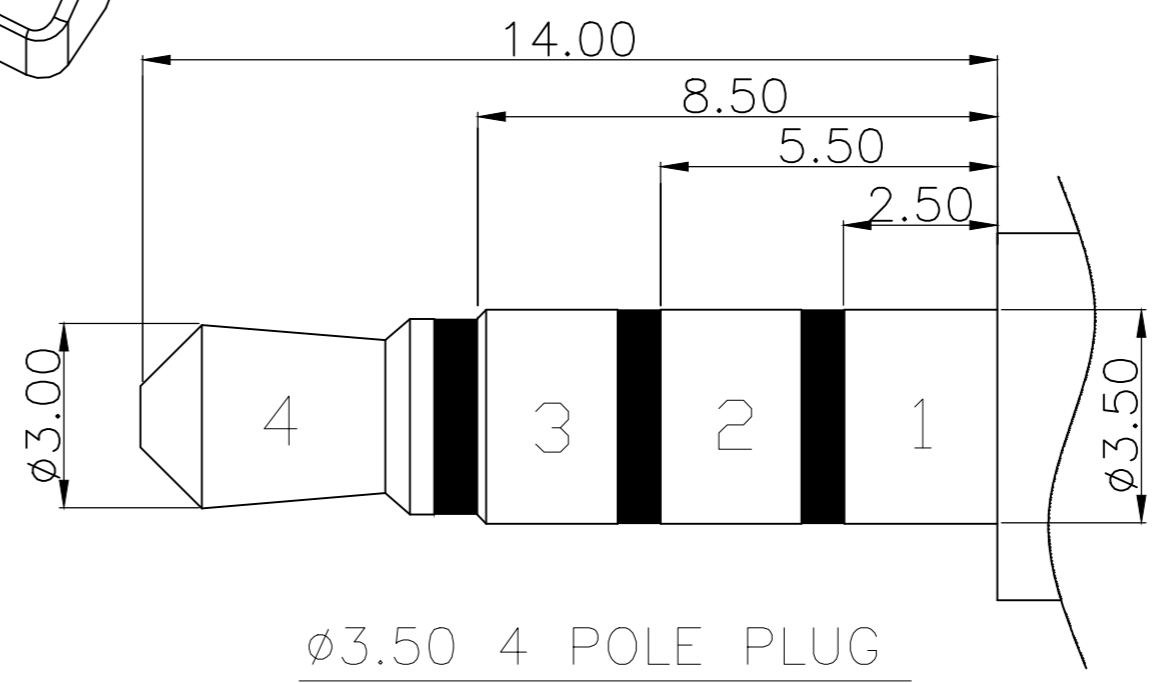
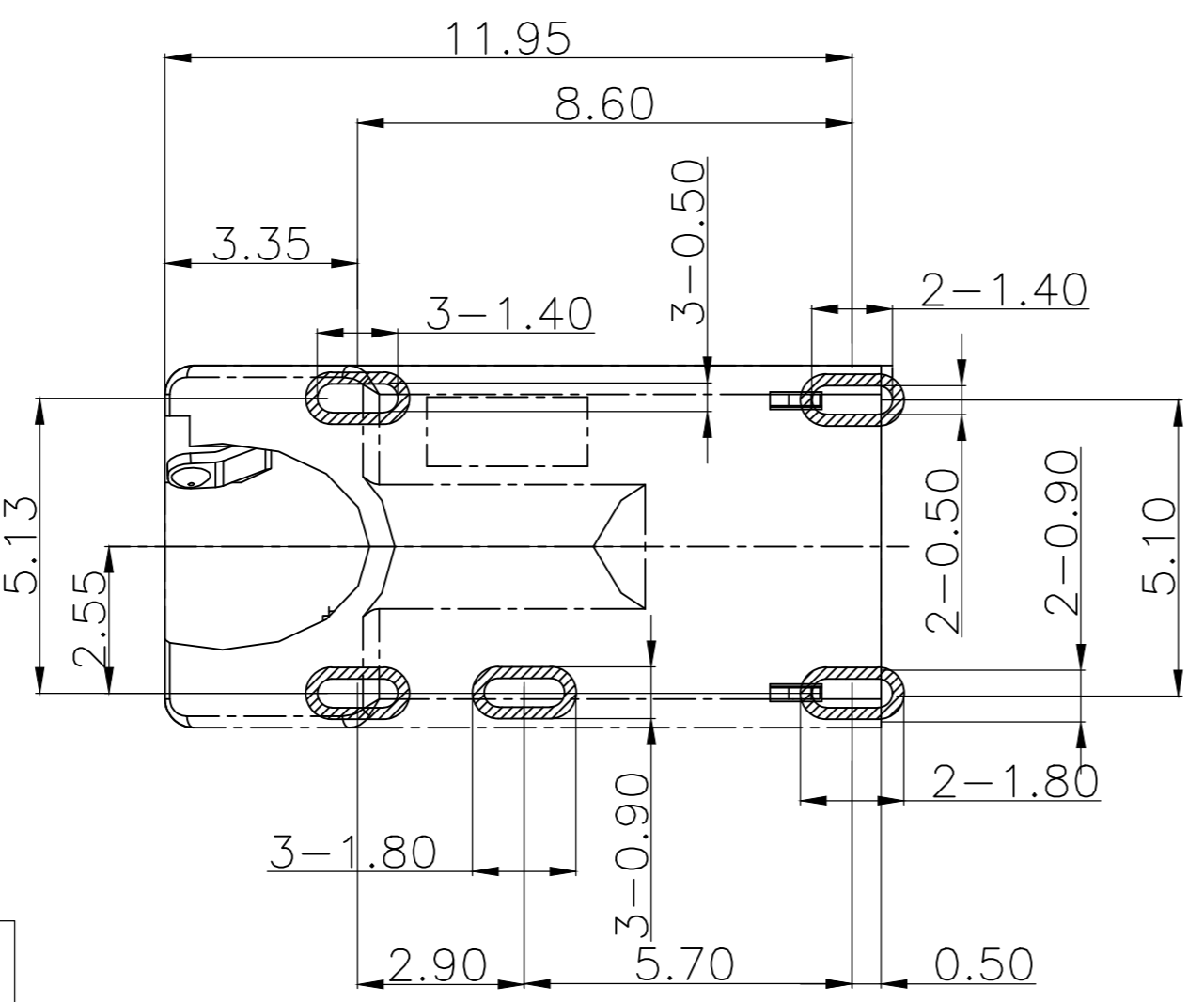
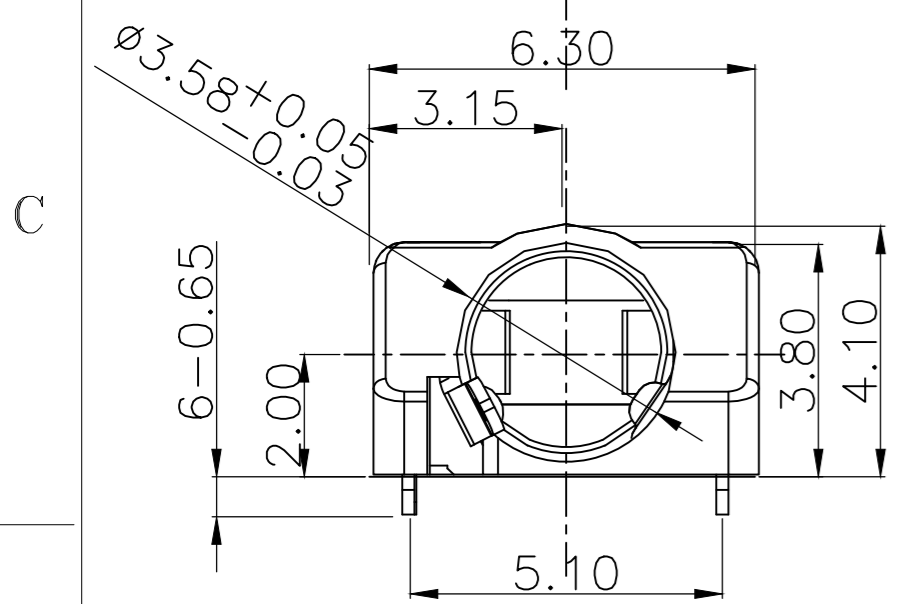
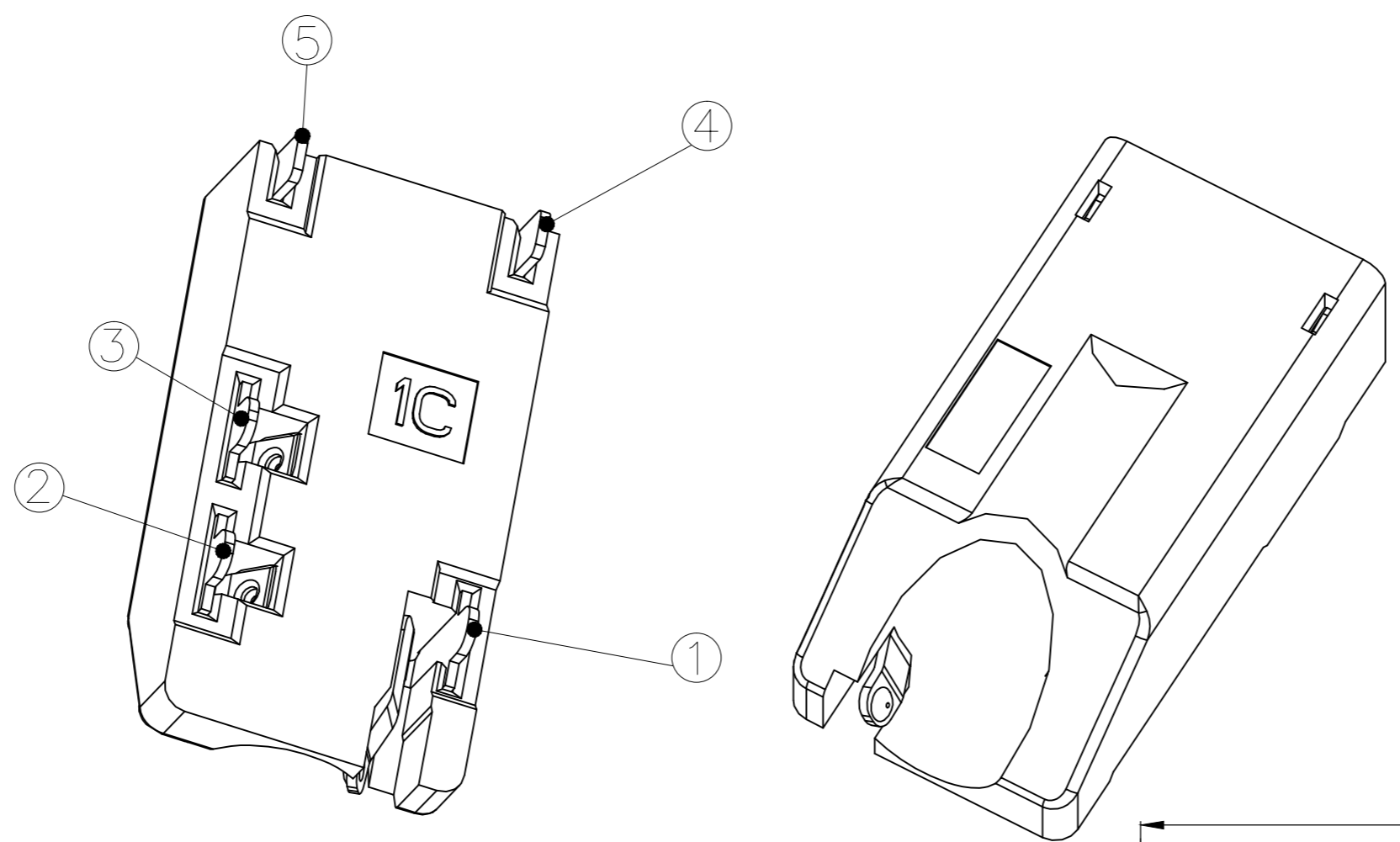
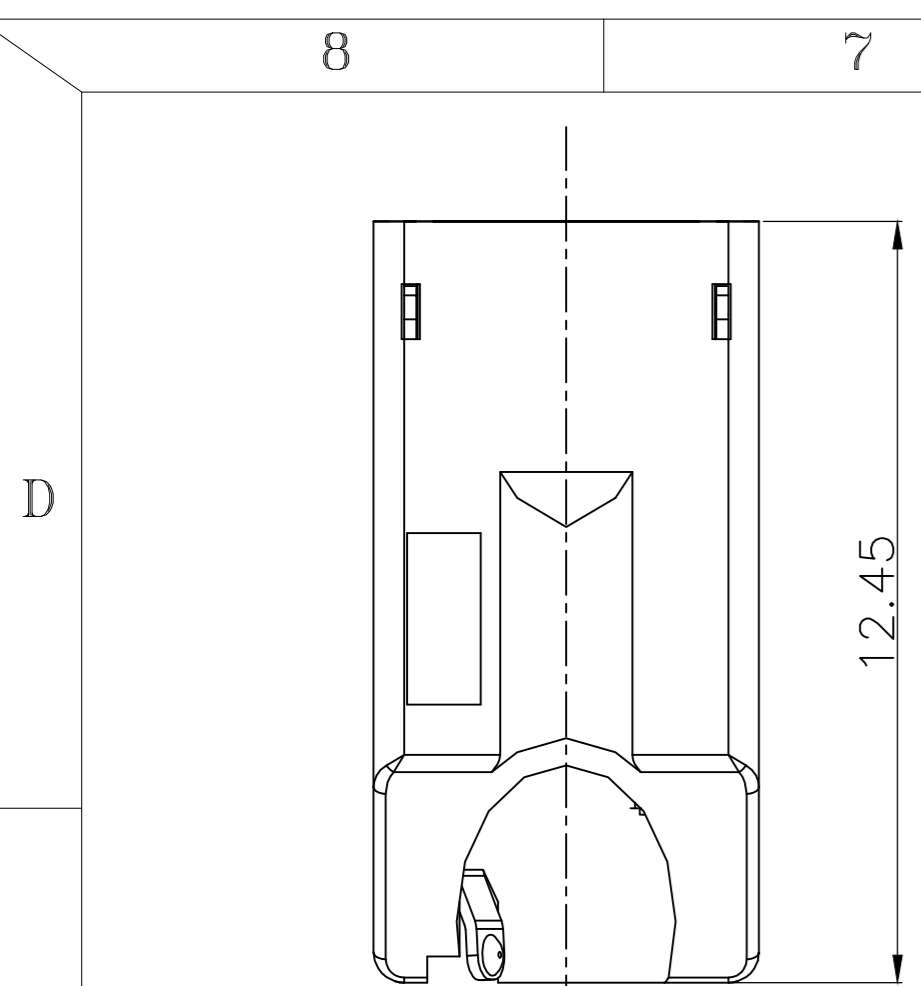


ECN NO.	REV	DATE	DESCRIPTION	APP'D
	A0	20120325	drawing release	kevin

- NOTES:
- MATERIAL:
 - HOUSING: UL94V-0, COLOR: BLACK
 - CONTACT: SUS ALLOY
 - PLATING:
 - CONTACTS PLATING: SEE ORDERING INFORMATION
 - RATING
 - OPERATING VOLTAGE: 30VAC/DC.
 - CURRENT RATING: 0.5A AC/DC.
 - OPERATING TEMPERATURE: -25°C~+85°C



LINEAR	ANGLE	NAME (INTENDED USE) PHONE JACK	东莞市全晟通精密制造有限公司 DONGGUAN QUAN SHENG TONG PRECISION MANUFACTURING CO., LTD.			
X. ±0.38		PART NO. (INTENDED USE) PJ06-8142566				
X. X ±0.25		APPD:	DWG NO.:			
		CHKD:	UNITS: mm			
		DR:	SCALE: N/A			
GENERAL TOLERANCE UNLESS OTHERWISE NOTED			SHEET: 1/1			
			REV.: A0			
			3/9-16			